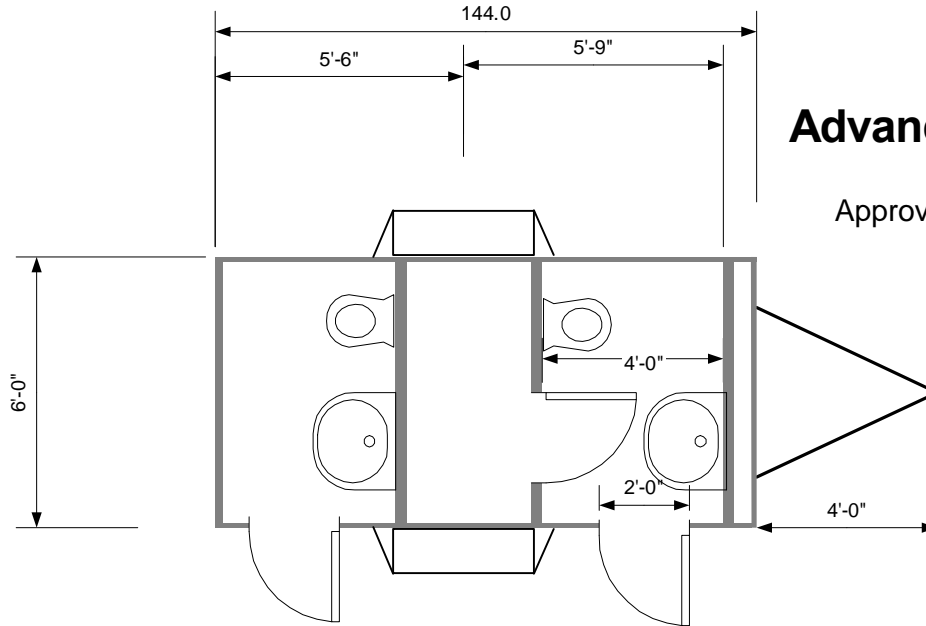


80399160892



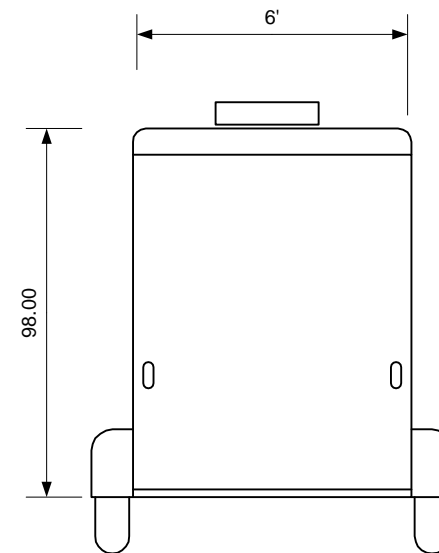
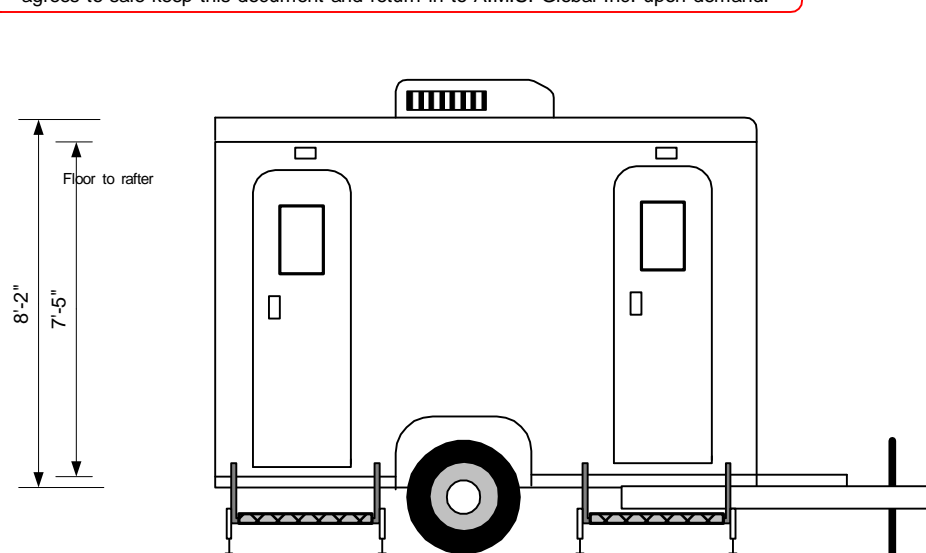
# Advanced Performance PF12 2ST Direct

Approved by \_\_\_\_\_



- Requires 30amp 110AC
- 15,000 BTU A/C 5500 watts heat
- Led Porch Lighting
- Stainless Steel tissue, towel and soap dispensers
- 2 Commercial Toilets
- Obscure windows in radius doors
- LED 50,000 hour burn lighting and trailer lighting
- Direct connect to sewer
- Porcelain wall hung fixtures & metered faucets
- Framed mirrors
- All metal and composite structure
- Walls 1.5" tubular steel
- Diamond plate Double Epoxy Ganitised Steel Floor
- .040 white aluminium exterior not .030
- 2 one step landings
- Very close to the ground- less liability

This document is the property of and contains unpublished proprietary information and trade secrets of A.M.S. Global Inc. By accepting possession of the document the recipient agrees to make no copies transcriptions or any use of this document or the information contained herein except as authorized by A.M.S. Global Inc. and further agrees to safe keep this document and return in to A.M.S. Global Inc. upon demand.

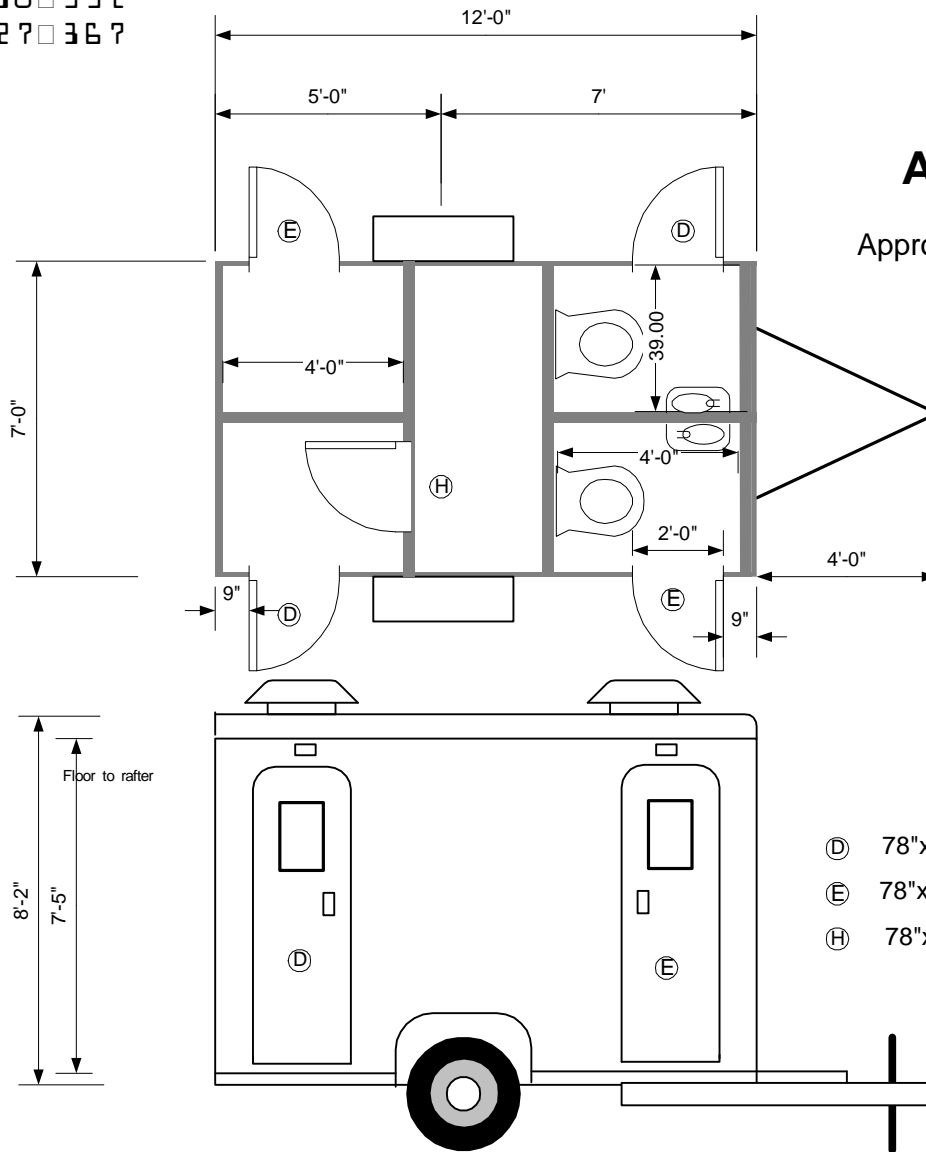


1706030552  
15805270367



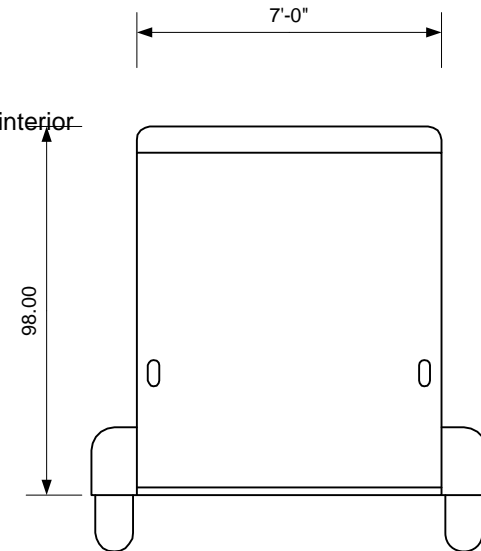
## Advanced Performance 12 2ST

Approved by \_\_\_\_\_



- Requires 15amp 110AC
- Two 800 CFM solar vents or A/C
- Led Por ch Lighting
- Uses a pint per flush
- 70 AMP power converter
- 2 Jet s™ Marine Toilets
- Jets 10NT Vacumerator™
- Obscure windows in radius doors
- LED 30,000 hour burn lighting and trailer lighting
- Liquefies all waste and hygienic products
- Self Pumping to Sewer Tap
- Over 100' w/10' head 1" line
- Porcelain wall hung fixtures & metered faucets
- Acrylic unbreakable mirrors
- Diamond plate Double Epoxy Ganitised Steel Floor
- .040 Aluminium exterior 1.5 inch tubular walls
- All composite walls interior

- Ⓧ 78"x24" radius LH
- Ⓧ 78"x24" radius RH
- Ⓧ 78"x24" radius LH interior

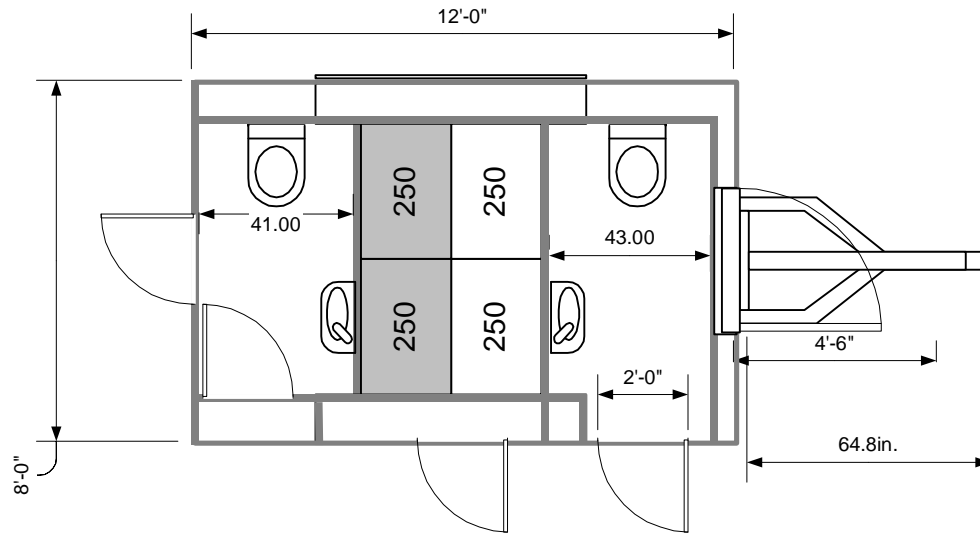


This document is the property of and contains unpublished proprietary information and trade secrets of A.M.S. Global Inc. By accepting possession of the document the recipient agrees to make no copies transcriptions or any use of this document or the information contained herein except as authorized by A.M.S. Global Inc. and further agrees to safe keep this document and return in to A.M.S. Global Inc. upon demand.

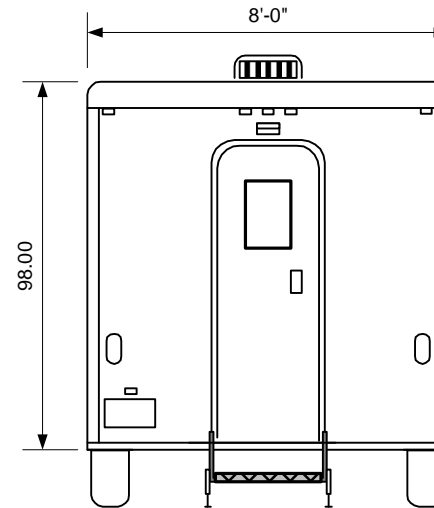
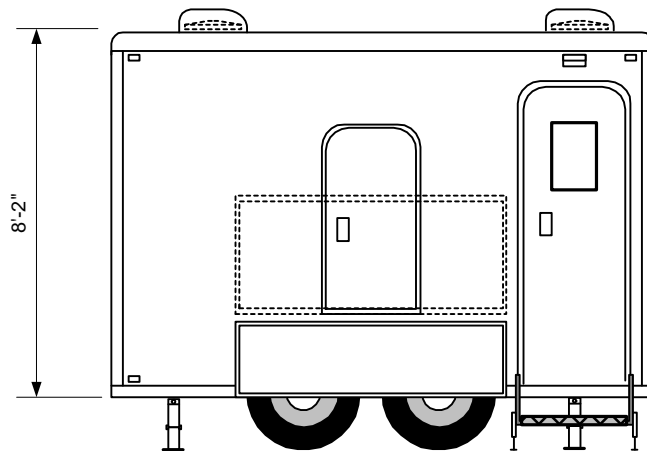




## Advanced Performance 12 2ST HD WB Brute Series



- 2 step landings
- Retractable tongue & 4 leveling jacks
- 2 6000 pound axles with electric brakes
- 2 Fantastic vents Covered
- 2 2000/4000 watt heaters
- 10nt 240 volt VOD Jets Vacumerator Pump
- (1) 240 v @ 50 amp AC power required
- metered faucets & wall hung sinks
- All metal and composite construction
- 2 Jets Marine Vacumerator Toilets
- Stainless steel soap,tissue & towel dispensers
- 500 gallon waste tank capacity +- 4000 flushes
- 500 gallons of fresh water capacity
- Uses less than a quart per flush
- LED 50,000 hour burn lighting
- Radiused skylight doors and auto closers
- Liquefies all waste and paper
- Self Pumping to Sewer Tap
- over 100 feet w/10' head



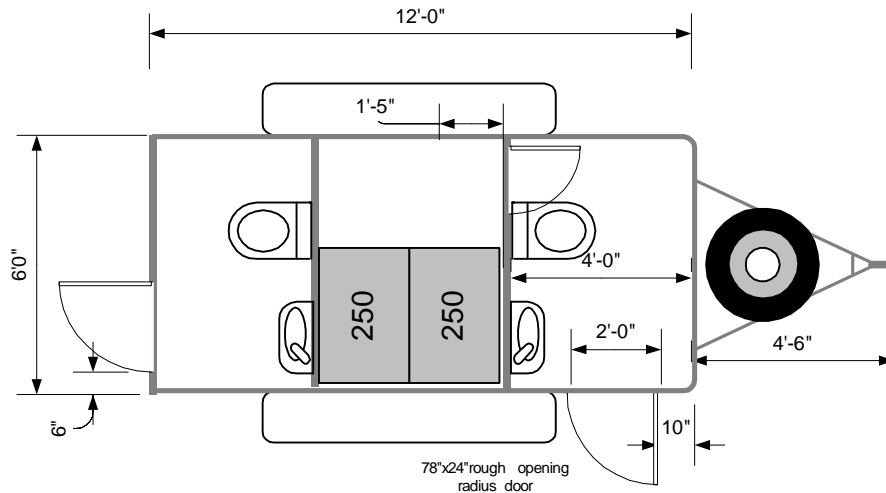
This document is the property of and contains unpublished proprietary information and trade secrets of A.M.S. Global Inc. By accepting possession of the document the recipient agrees to make no copies transcriptions or any use of this document or the information contained herein except as authorized by A.M.S. Global Inc. and further agrees to safe keep this document and return in to A.M.S. Global Inc. upon demand.

Approved by \_\_\_\_\_

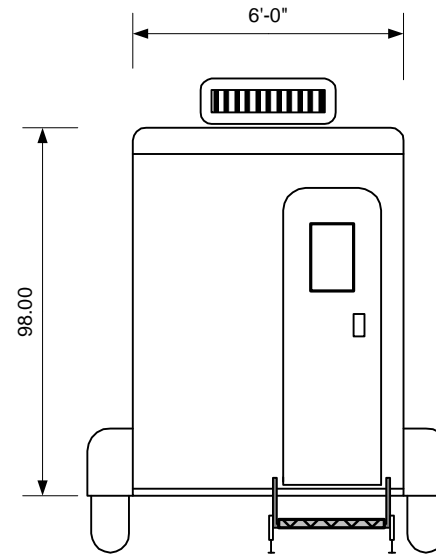
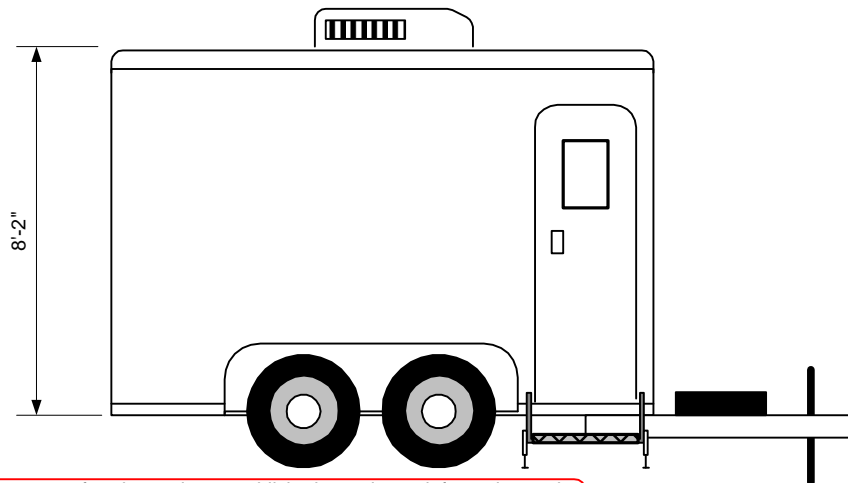




## Advanced Performance 12 2ST HD Brute Series



- 2 step landings
- 2 6000 pound axles with electric brakes
- Air Conditioned 15,000 BTU heat 5500
- 2 1500 watt heaters
- 10nt 240 volt CVS Jets™ Vacuulator™
- (1) 240 v @ 50 amp AC power required
- metered faucets
- All metal and composite construction
- 2 Jets™ Marine Toilets 2 wall sinks
- Stainless steel soap, tissue & towel dispensers
- 500 gallon waste tank capacity +/- 4000 flushes
- Uses less than a quart per flush
- LED 50,000 hour burn lighting
- Radiused skylight doors and auto closers
- Liquefies all waste and paper
- Self Pumping to Sewer Tap
- over 100 feet w/10' head
- Spare

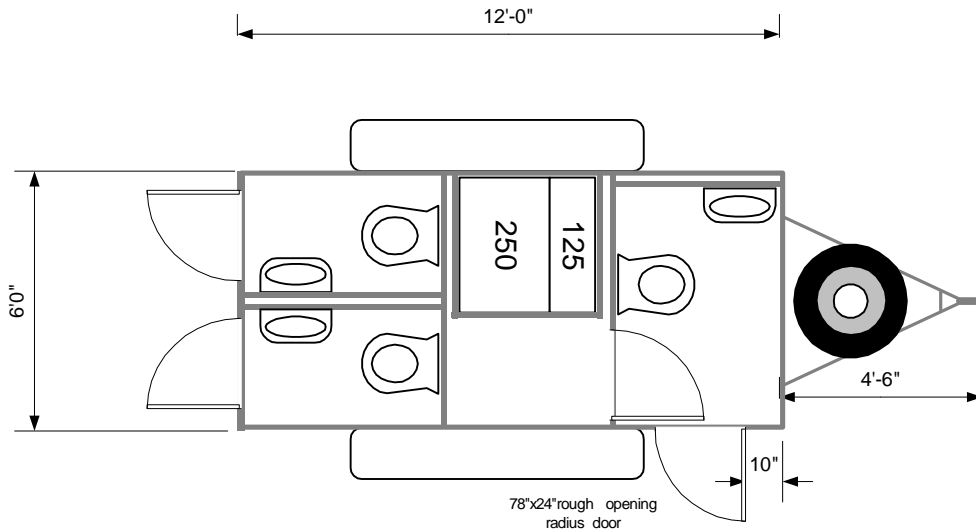


This document is the property of and contains unpublished proprietary information and trade secrets of A.M.S. Global Inc. By accepting possession of the document the recipient agrees to make no copies, transcriptions or any use of this document or the information contained herein except as authorized by A.M.S. Global Inc. and further agrees to safe keep this document and return it to A.M.S. Global Inc. upon demand.

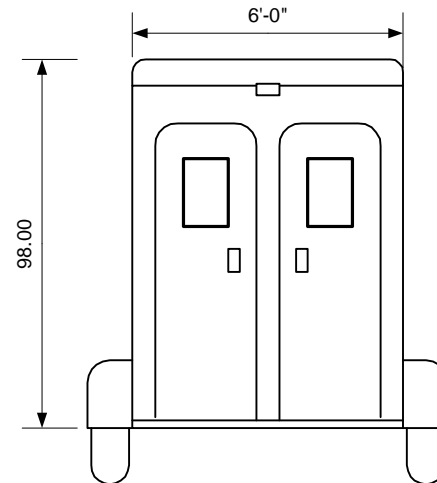
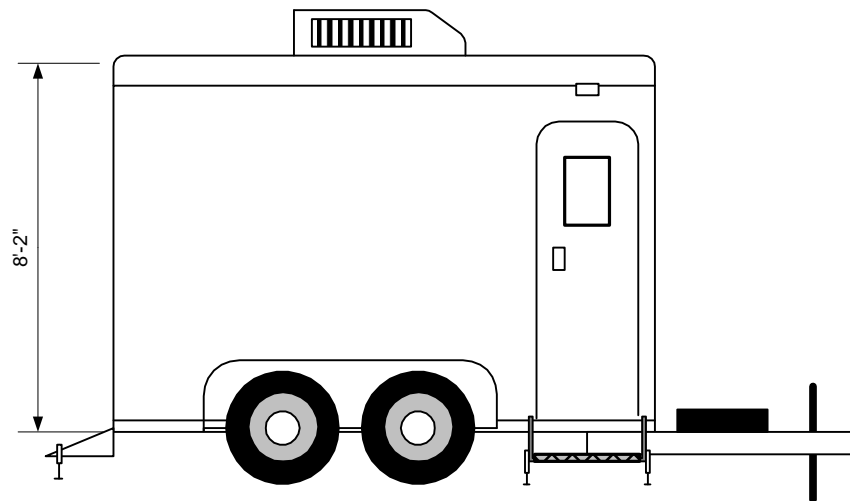
Approved by \_\_\_\_\_



# Advanced Performance 12 3ST



- Requires 30amp 110AC RV connection and cord
- Choice of Two 800 CFM solar vents or 15,000 BTU A/C with 5500 watts heat
- Led Porch Lighting
- Uses a pint per flush with standard hose city fill
- 45 AMP power converter and Optima AGM battery
- 3 Jets™ Marine Toilets
- Jets™ 10NT Vacuinator™
- All Stainless Steel towel tissue and soap dispensers
- Obscure windows in radius doors automatic closers
- LED 50,000 hour burn lighting and trailer lighting
- Liquefies all waste and hygienic products
- 250 gallons waste 125 gallons water
- Self Pumping to Sewer Tap Over 100' w /10' head 1" line
- Porcelain wall hung fixtures & metered faucets
- Chrome framed mirrors
- Diamond plate Double Epoxy Granitised Steel Floor
- .040 aluminium exterior all metal and composite- no wood
- 3 one step landings and leveling jacks
- Electric brakes with 2- 3500 pound axles w ith spare

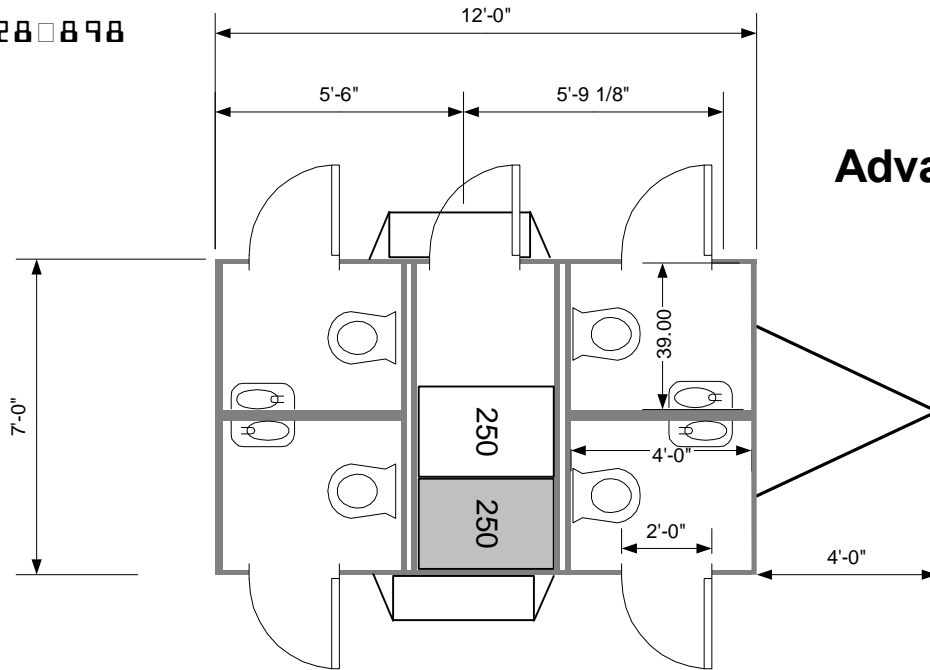


This document is the property of and contains unpublished proprietary information and trade secrets of A.M.S. Global Inc. By accepting possession of the document the recipient agrees to make no copies transcriptions or any use of this document or the information contained herein except as authorized by A.M.S. Global Inc. and further agrees to safe keep this document and return in to A.M.S. Global Inc. upon demand.

Approved by \_\_\_\_\_



16 533 28 898



## Advanced Performance APF12 4ST

Requires 30amp 110AC RV connection and cord  
Choice of Two 800 CFM solar vents or  
15,000 BTU A/C with 5500 btu heat

Led Por ch Lighting

Uses a pint per flush with standard hose city fill  
45 AMP power converter and Optima AGM battery

4 Jet s™ Marine T oilets

Jets 10NT Vacumarator™

All S tainless S teel t owel t issue and soap dispenser s

Obscure w indows in radius door s automatic closer s

LED 50,000 hour bur n lighting and trailer lighting

Liquefies all waste and hygienic pr oducts

250 gallons waste 250 gallons water

Self Pumping to Sewer Tap Over 100' w/10' head 1" line

Porcelain w all hung fixtur es & metered faucets

Chrome framed mirrors

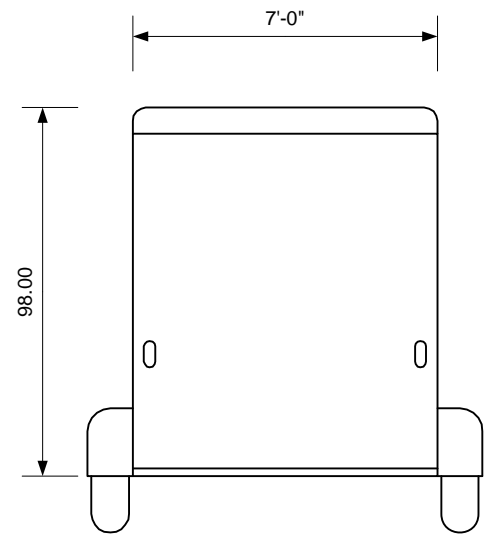
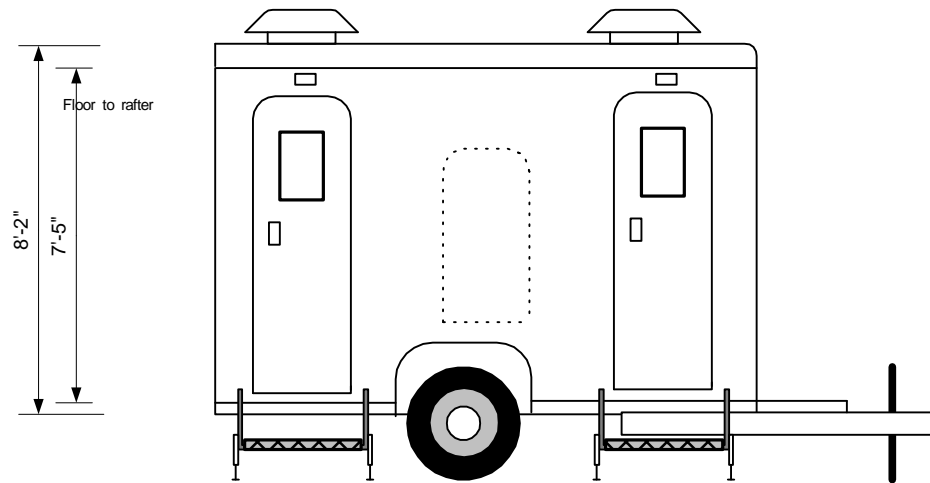
Diamond plate Double Epoxy Granitised Steel Floor

.040 aluminium exterior all metal and composi e- no wood

4 one step landings and leveling jacks

Electric brakes with 4500 pound axle with spare

This document is the property of and contains unpublished proprietary information and trade secrets of A.M.S. Global Inc. By accepting possession of the document the recipient agrees to make no copies transcriptions or any use of this document or the information contained herein except as authorized by A.M.S. Global Inc. and further agrees to safe keep this document and return in to A.M.S. Global Inc. upon demand.



Approved by \_\_\_\_\_

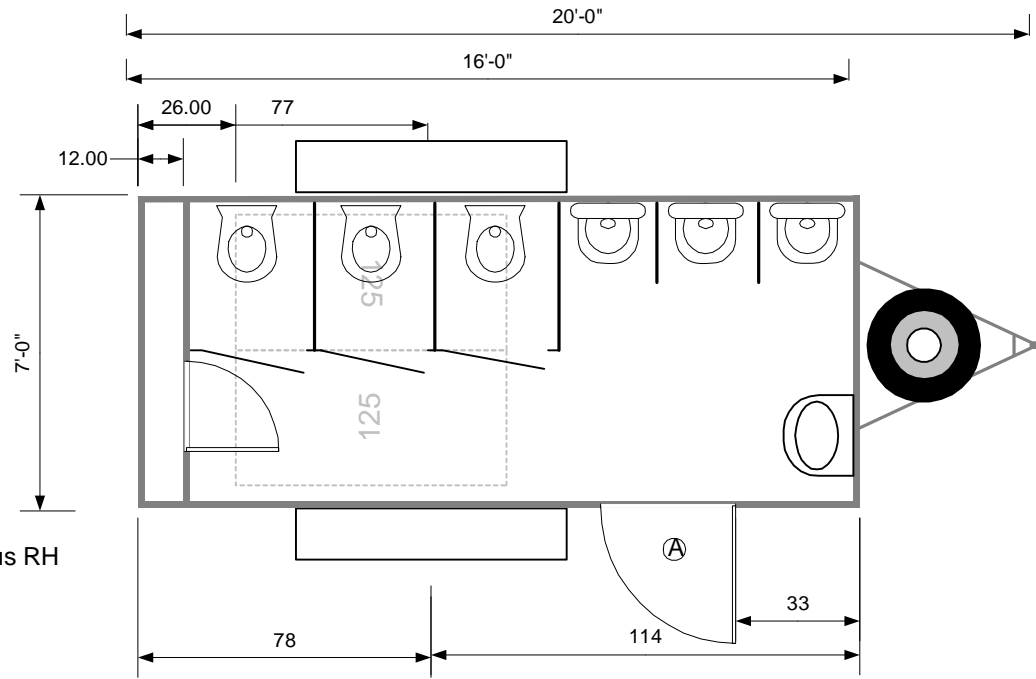


1 2 4 4 1 2 5 3 5 1

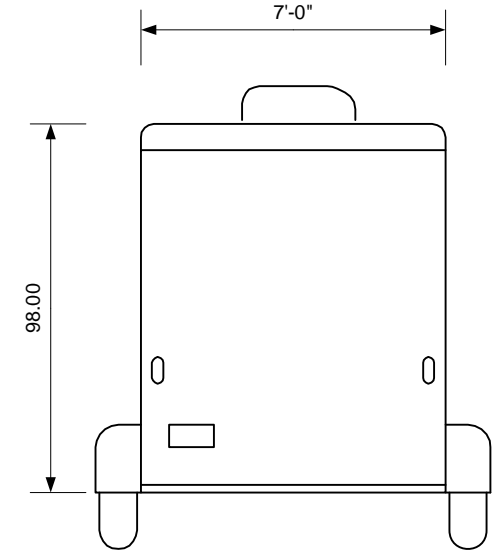
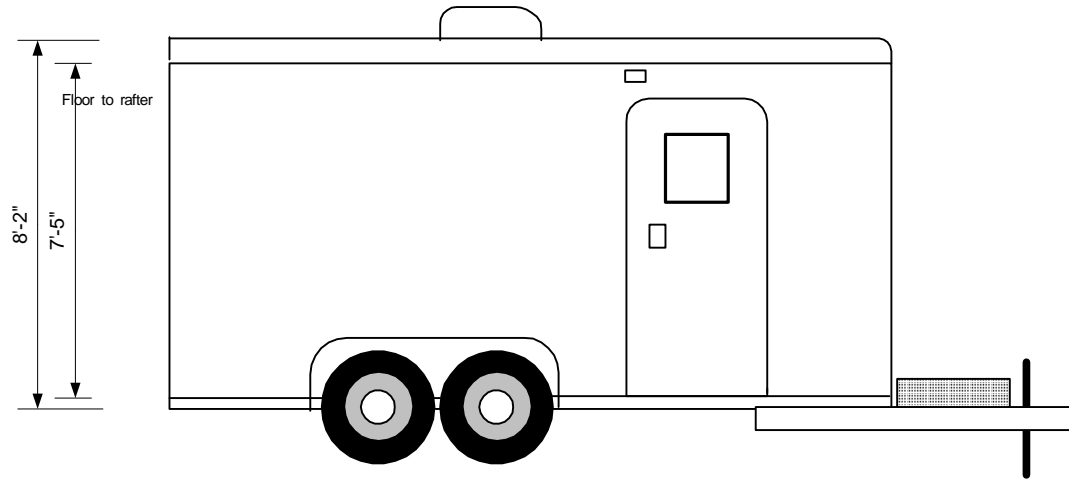


# Advanced Performance 16-1S3T3U G

125 gallon fresh water 125 gallon waste  
 Requires 30amp 110AC  
 Steel frame and .040 aluminium exterior  
 All metal and composite construction  
 Leveling Jacks and Spare  
 3 Pedal flush toilets 3 urinals  
 Obscure window in radius door  
 Heat 5,500 watt & Air Conditioned 15,000BTU  
 LED 30,000 hour burn lighting and trailer lighting  
 All porcelain wall hung sink  
 Tandem 3000 # axles And spare



Ⓐ 78"x36" radius RH



This document is the property of and contains unpublished proprietary information and trade secrets of A.M.S. Global Inc. By accepting possession of the document the recipient agrees to make no copies transcriptions or any use of this document or the information contained herein except as authorized by A.M.S. Global Inc. and further agrees to safe keep this document and return in to A.M.S. Global Inc. upon demand.

Approved by \_\_\_\_\_

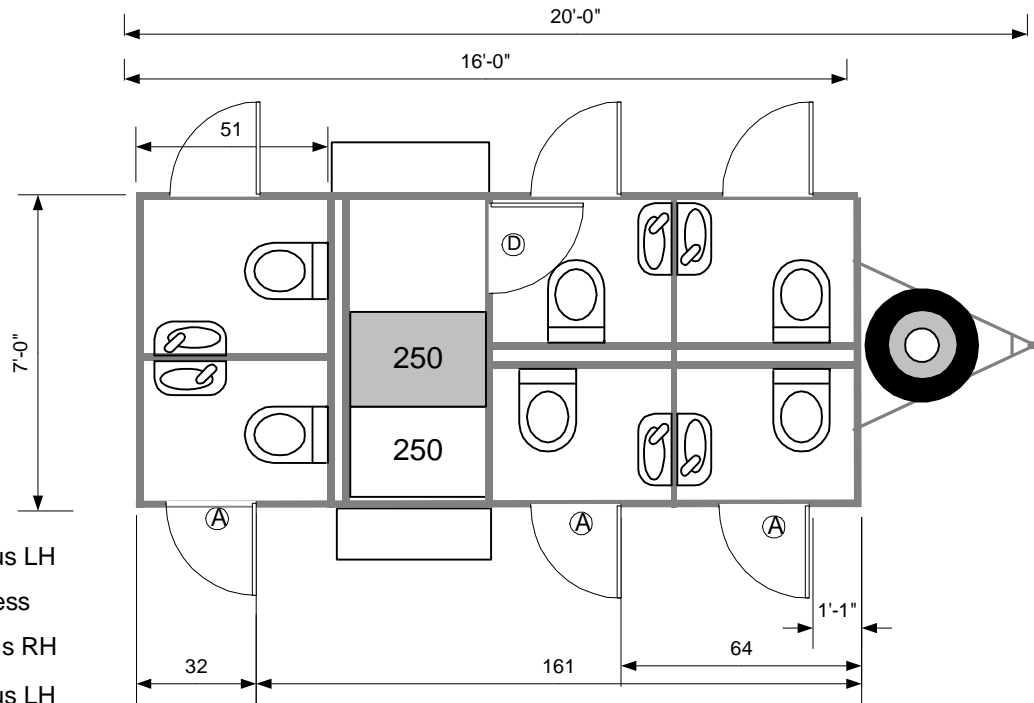


20 38 74 7 30 2

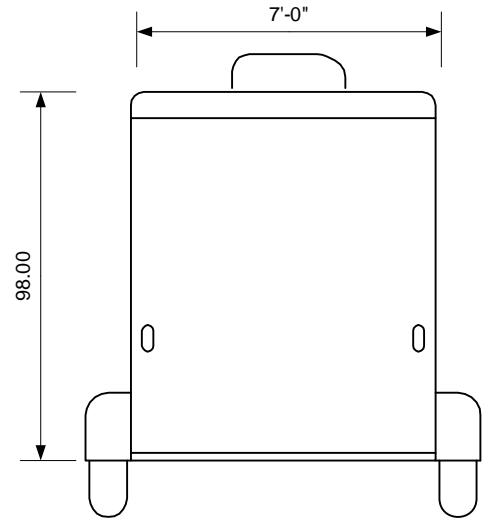
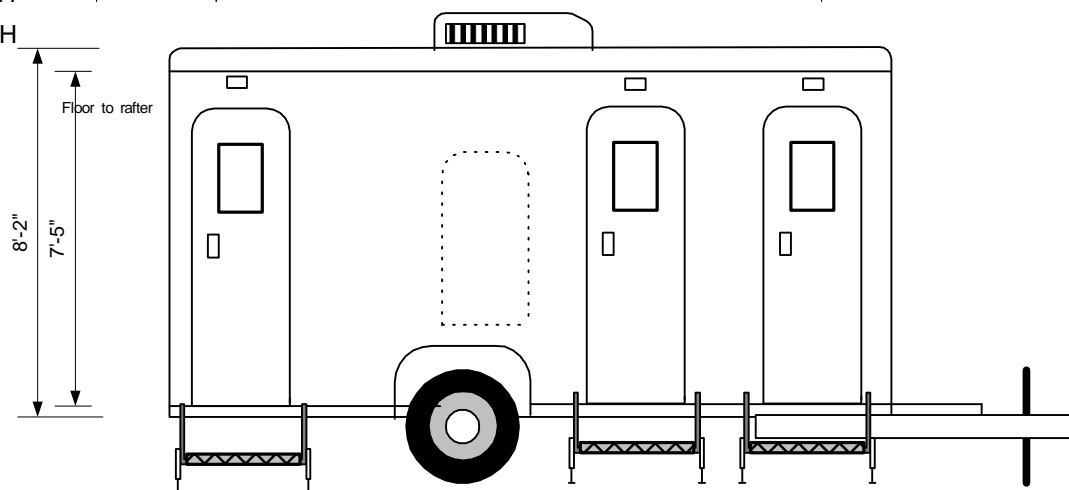


## Advanced Performance APF 16-6ST

- Requires 30 amp 110AC
- Steel frame and exterior
- Leveling Jacks and Spare
- 250 gallon tank capacity
- 250 gallons fresh water storage
- Uses less than a pint per flush
- 3 Jets™ Toilets & 10NT Vacuumator™
- Obscure windows in radius doors
- Heat & Air Conditioned 15,000BTU 5500 BTU
- LED 50,000 hour burn lighting and trailer lighting
- Liquefies all waste paper and hygienic products
- All porcelain wall hung fixtures
- Stainless Steel tissue towel & soap dispensers
- Self Pumping to Sewer Tap up to 100 yards 1" line



- Ⓐ 78"x24" radius LH
- Ⓑ 12"x12" access
- Ⓒ 48"x24" radius RH
- Ⓓ 48"x24" radius LH
- Ⓔ 78"x38" radius RH



This document is the property of and contains unpublished proprietary information and trade secrets of A.M.S. Global Inc. By accepting possession of the document the recipient agrees to make no copies transcriptions or any use of this document or the information contained herein except as authorized by A.M.S. Global Inc. and further agrees to safe keep this document and return in to A.M.S. Global Inc. upon demand.

Approved by \_\_\_\_\_



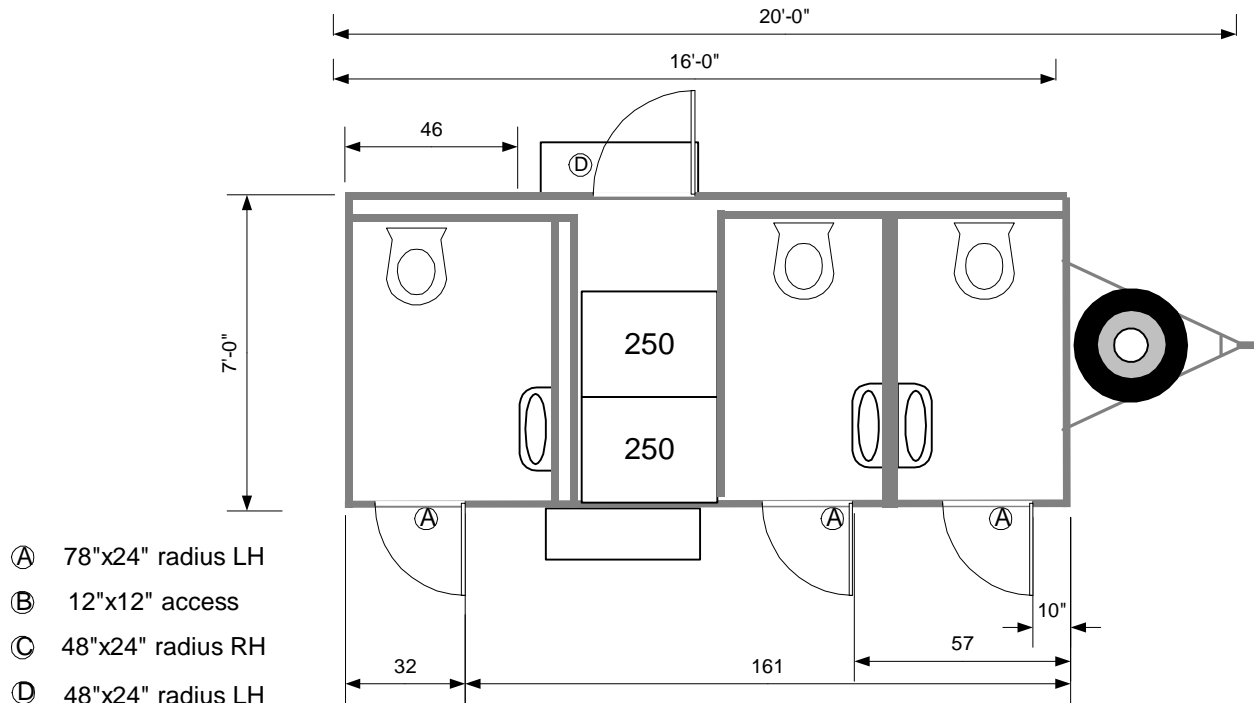


16 78933 950

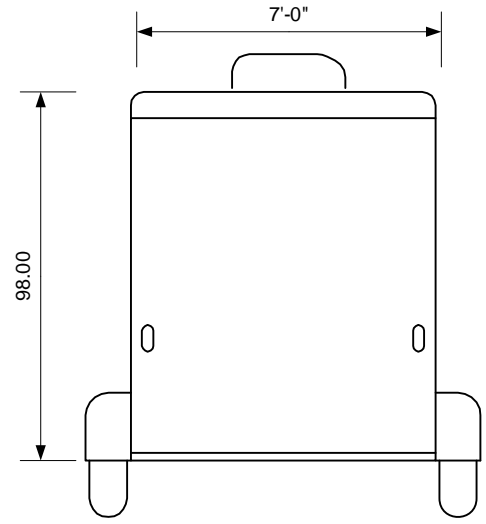
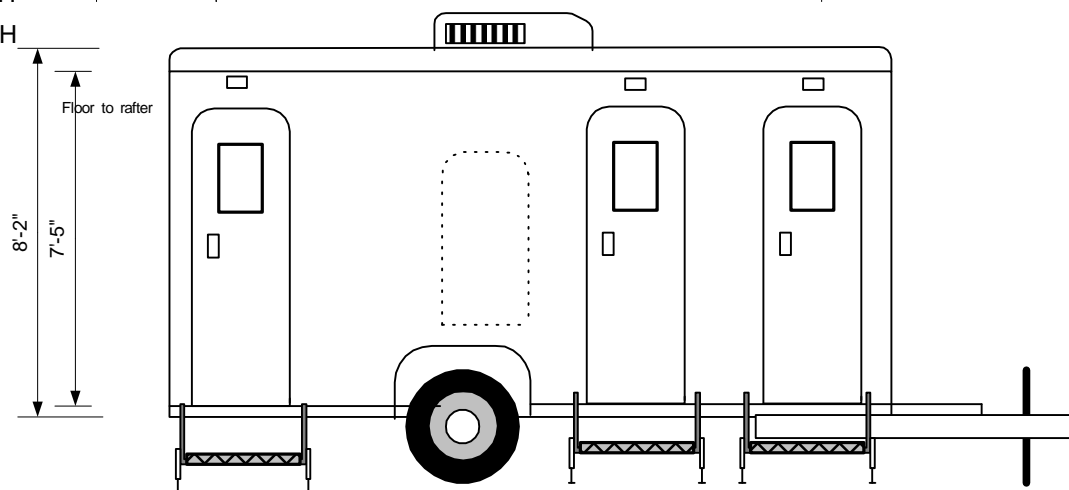


## Advanced Performance APF 16-3ST

- 2000 flush capacity
- Requires 30amp 110AC
- Steel frame and exterior
- Leveling Jacks and Spare
- 500 gallon tank capacity
- 250 gallons fresh water storage
- Uses less than a pint per flush
- 3 Jet s™ Marine Toilets & Vacuumator™
- Obscure windows in radius doors
- Heat & Air Conditioned 15,000 BTU 5500 BTU
- LED 50,000 hour burn lighting and trailer lighting
- Liquefies all waste paper and hygienic products
- All porcelain wall hung fixtures
- Stainless Steel tissue towel & soap dispenser s
- Self Pumping to Sewer Tap up to 100 yards 1" line



- Ⓐ 78"x24" radius LH
- Ⓑ 12"x12" access
- Ⓒ 48"x24" radius RH
- Ⓓ 48"x24" radius LH
- Ⓔ 78"x38" radius RH



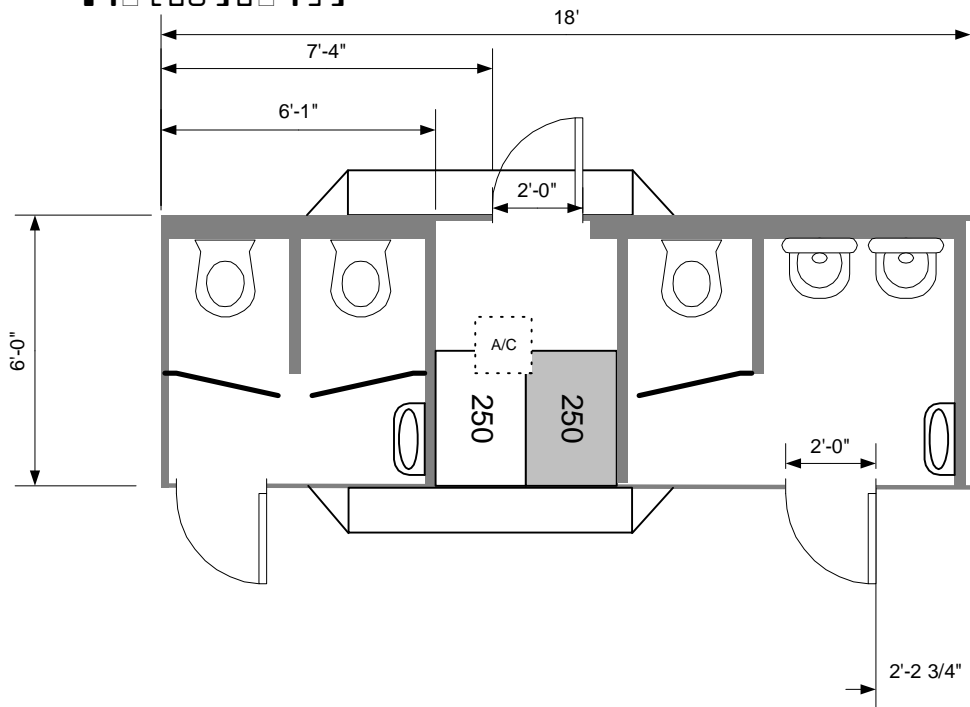
This document is the property of and contains unpublished proprietary information and trade secrets of A.M.S. Global Inc. By accepting possession of the document the recipient agrees to make no copies transcriptions or any use of this document or the information contained herein except as authorized by A.M.S. Global Inc. and further agrees to safe keep this document and return in to A.M.S. Global Inc. upon demand.

Approved by \_\_\_\_\_



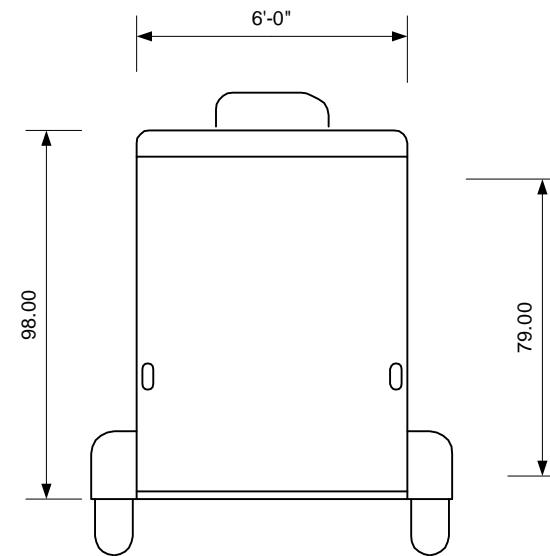
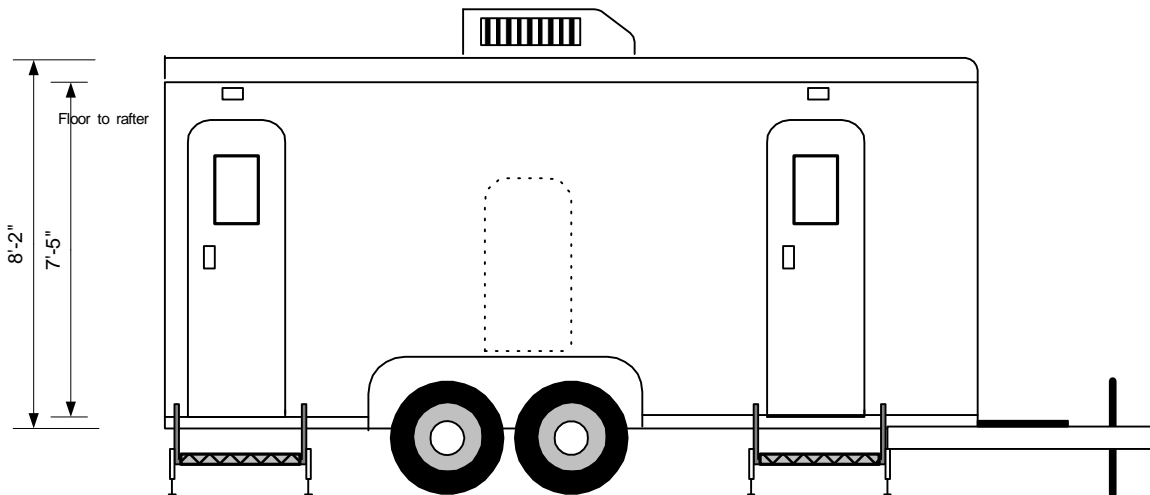


19 260 36 953



## Advanced Performance APF 18 2S3T2U

- 2000 flush capacity
- Requires 30amp 110AC
- Steel frame and exterior
- Dual axles Lev eling Jacks and Spare
- 250 gallon waste tank capacity
- 250 gallons fresh water storage
- Uses less than a pint per flush
- 3 Jets™ Marine Toilets 2 urinals & Vacuumator™
- Obscure windows in radius doors
- Heat & Air Conditioned 15,000BTU
- LED 100,000 hour burn lighting and trailer lighting
- Liquefies all waste paper and hygienic products
- All porcelain wall hung fixtures
- Self Pumping to Sewer Tap up to 100 yards w/10' head 1" line



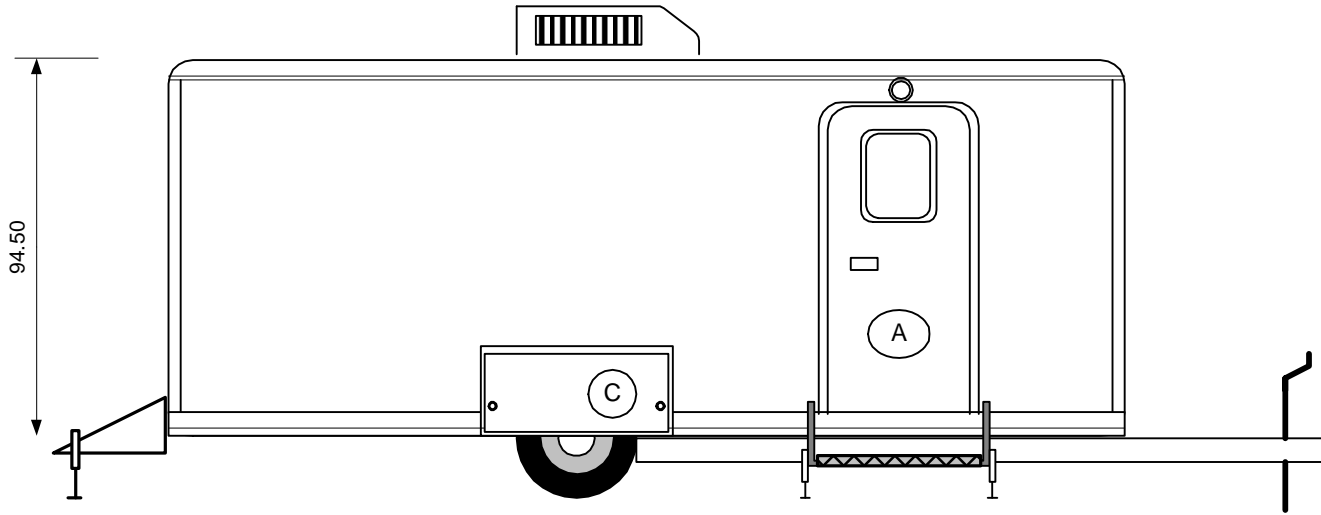
This document is the property of and contains unpublished proprietary information and trade secrets of A.M.S. Global Inc. By accepting possession of the document the recipient agrees to make no copies transcriptions or any use of this document or the information contained herein except as authorized by A.M.S. Global Inc. and further agrees to safe keep this document and return in to A.M.S. Global Inc. upon demand.

Approved by \_\_\_\_\_



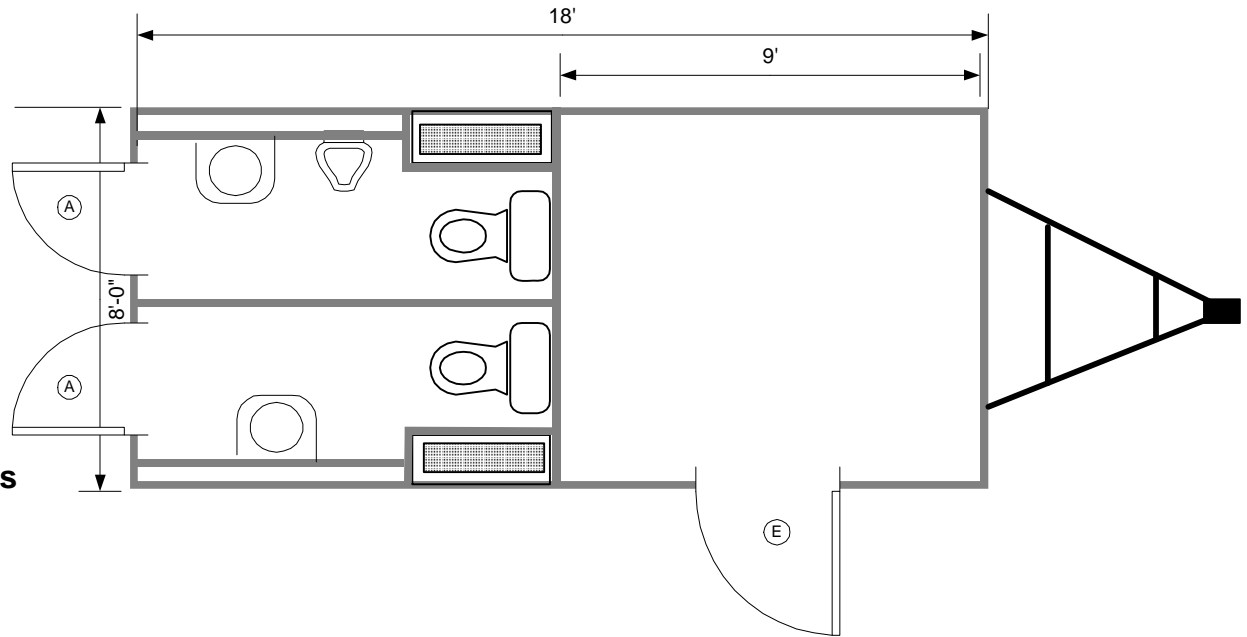
130809310895

# Advanced Performance APF 18 2ST 1U Direct



- Ⓐ 78"x24" radius RH
- Ⓑ 48"x24" radius LH
- Ⓒ 18"x36" top hinge
- Ⓓ 48"x24" radius RH
- Ⓔ 78"x38" radius LH
- Ⓕ 78"x24" radius LH
- Ⓖ 77.5"x35.5" radius LH

- 2 one step landings**
- 4 leveling jacks**
- Radiused skylight doors with auto closers**
- 1 6000 pound axles with electric brakes**
- Air Conditioned 15,000 BTU heat 5500 watts**
- 120 v @ 20 amp AC power required**
- All metal and composite construction**
- 2 Toilets 2 sinks 1 urinal**
- LED 50,000 hour burn lighting**
- 2 Large framed mirrors**
- Stainless steel paper tissue and soap dispensers**
- All Pex water lines**
- Direct connect to sewer**
- Low profile trailer close to ground**

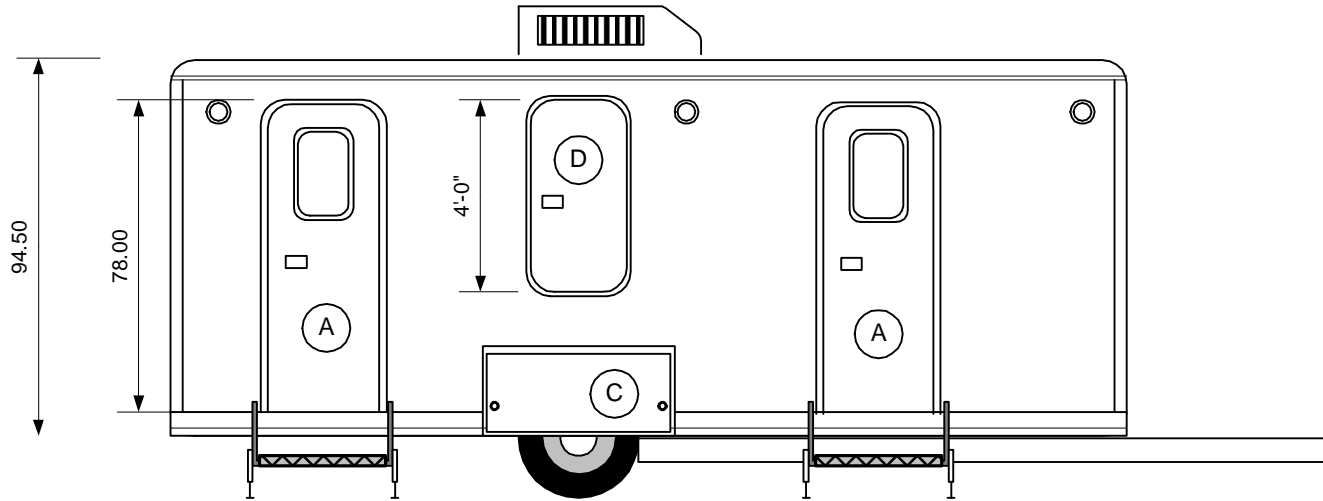


This document is the property of and contains unpublished proprietary information and trade secrets of A.M.S. Global Inc. By accepting possession of the document the recipient agrees to make no copies transcriptions or any use of this document or the information contained herein except as authorized by A.M.S. Global Inc. and further agrees to safe keep this document and return in to A.M.S. Global Inc. upon demand.

Approved by \_\_\_\_\_

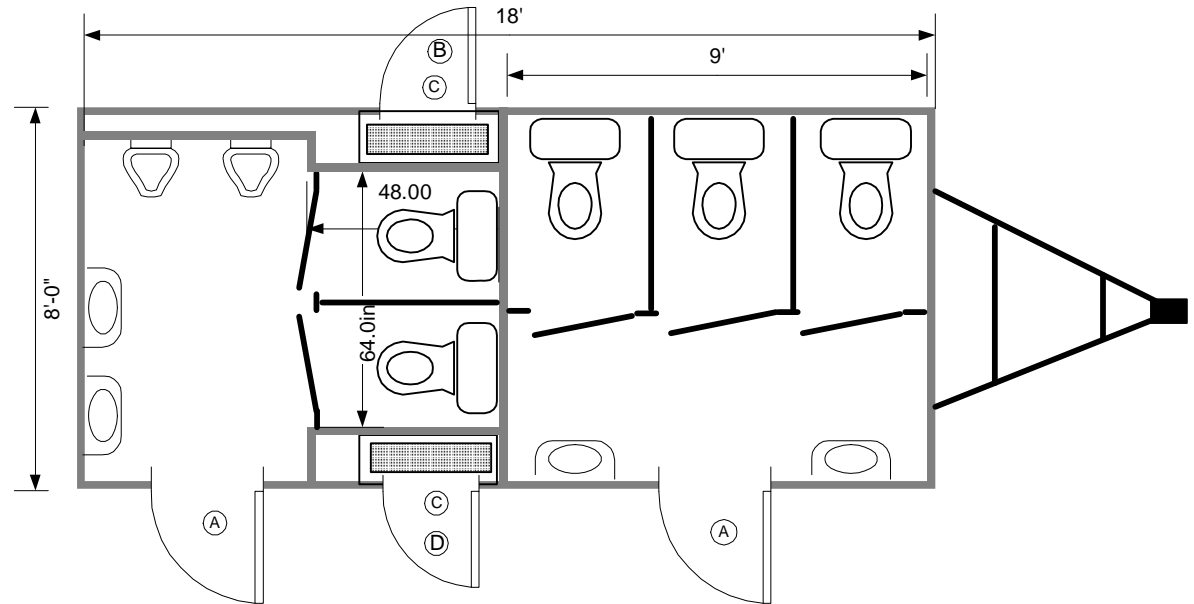


# Advanced Performance APF 18 4S5T 2U Direct



- Ⓐ 78"x24" radius RH
- Ⓑ 48"x24" radius LH
- Ⓒ 18"x36" top hinge
- Ⓓ 48"x24" radius RH
- Ⓔ 78"x38" radius LH
- Ⓕ 78"x24" radius LH
- Ⓖ 77.5"x35.5" radius LH

- 2 one step landings**
- 4 leveling jacks**
- 1 6000 pound axles with electric brakes**
- Air Conditioned 15,000 BTU heat 5500 watts**
- 120 v @ 20 amp AC power required**
- All metal and composite construction**
- 5 Toilets 2 urinals 4 sinks**
- LED 50,000 hour burn lighting**
- 4 Large framed mirrors**
- Stainless steel paper tissue and soap dispensers**
- All Pex water lines**
- Steel commercial partitions**
- Direct connect to sewer**

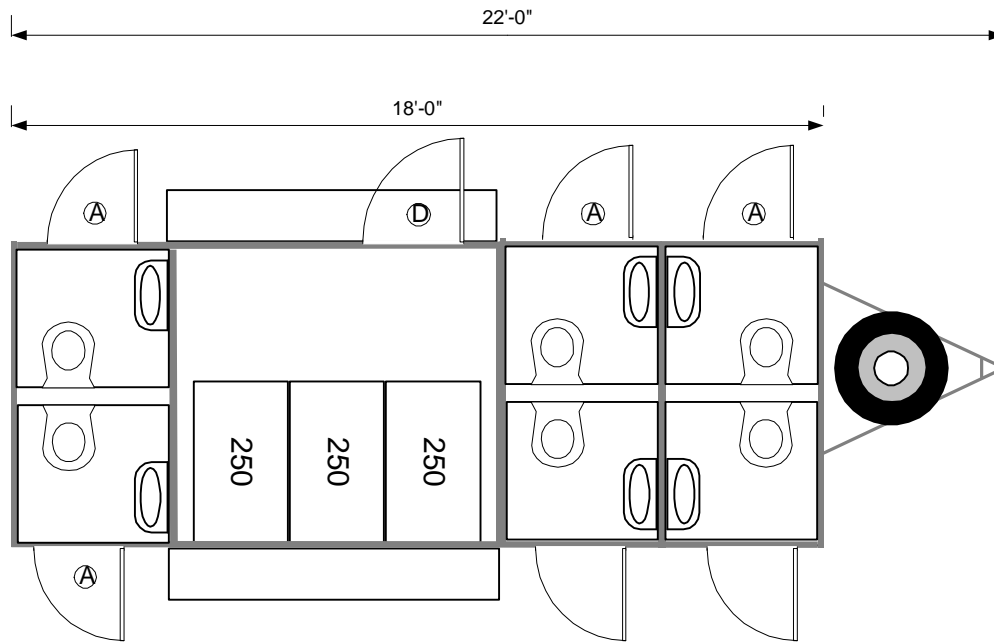


This document is the property of and contains unpublished proprietary information and trade secrets of A.M.S. Global Inc. By accepting possession of the document the recipient agrees to make no copies transcriptions or any use of this document or the information contained herein except as authorized by A.M.S. Global Inc. and further agrees to safe keep this document and return in to A.M.S. Global Inc. upon demand.

Approved by \_\_\_\_\_



230067420311

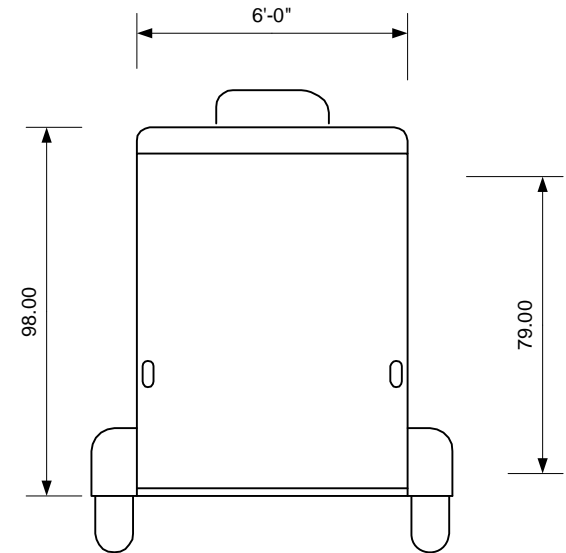
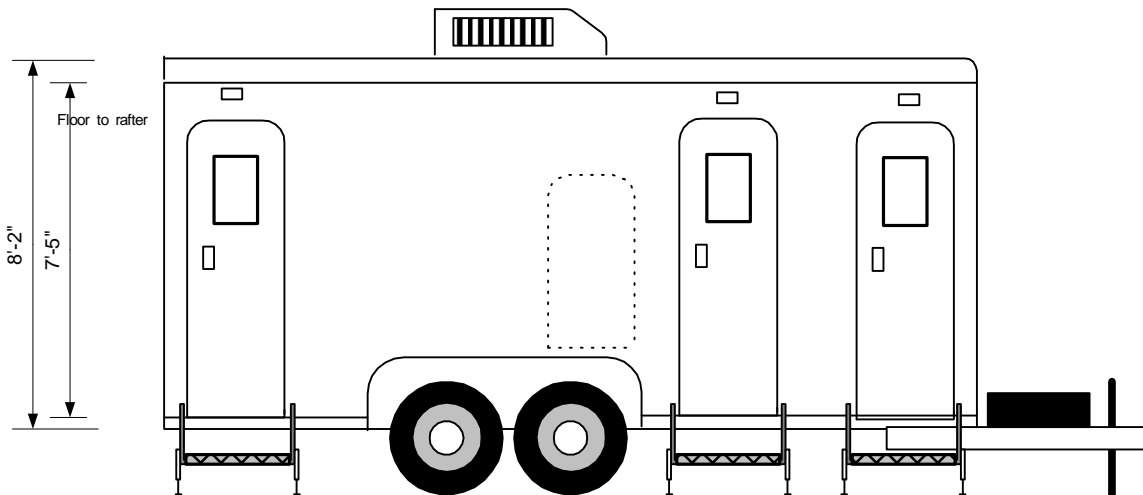


- Ⓐ 78"x24" radius LH
- Ⓑ 12"x12" access
- Ⓒ 48"x24" radius RH
- Ⓓ 48"x24" radius LH
- Ⓔ 78"x38" radius RH



## Advanced Performance 18-6ST

Leveling Jacks  
 4000 flush capacity  
 Requires 30amp p 110AC  
 Steel frame and exterior w/spare  
 500 gallon waste tank capacity  
 250 gallons fresh water storage  
 Uses less than a pint per flush  
 6 Jets™ Marine Toilets & Vacuumator™  
 Obscure windows in radius doors  
 Heat & Air Conditioned 15,000 BTU 5500 heat  
 LED 30,000 hour burn lighting  
 Liquefies all waste paper  
 All porcelain w all hung fixtures  
 Self Pumping to Sewer Tap up to 300 feet  
 w/10' head 1" line

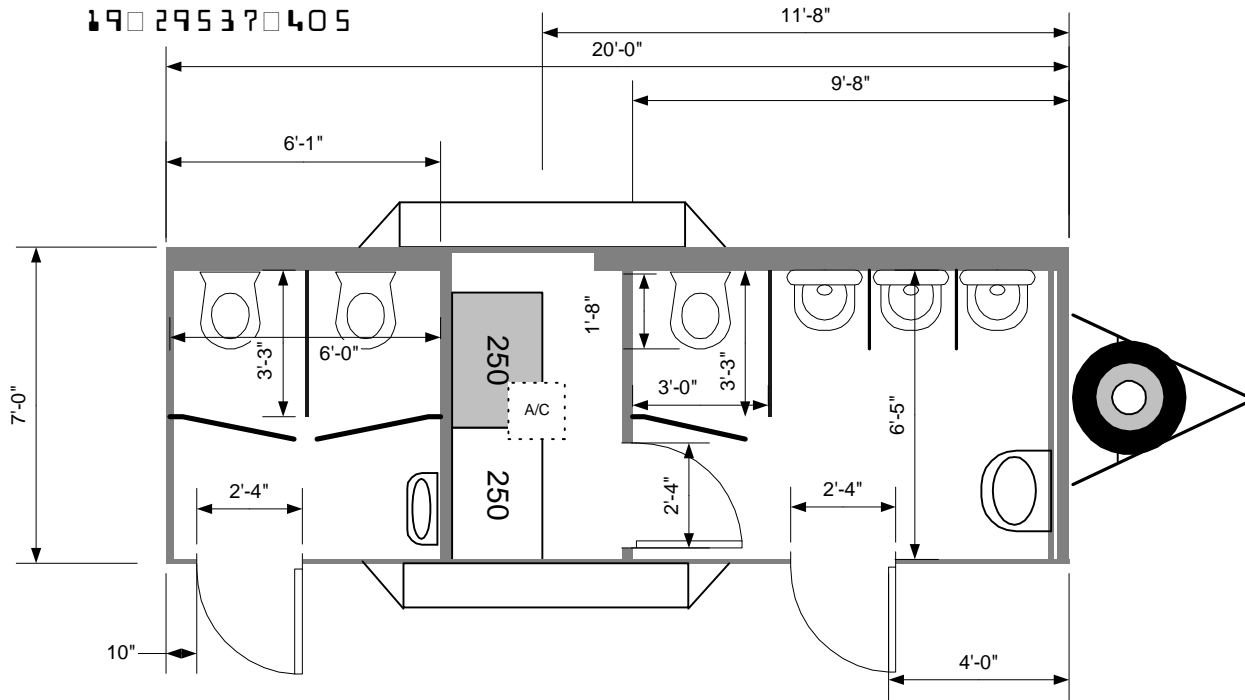


This document is the property of and contains unpublished proprietary information and trade secrets of A.M.S. Global Inc. By accepting possession of the document the recipient agrees to make no copies transcriptions or any use of this document or the information contained herein except as authorized by A.M.S. Global Inc. and further agrees to safe keep this document and return in to A.M.S. Global Inc. upon demand.



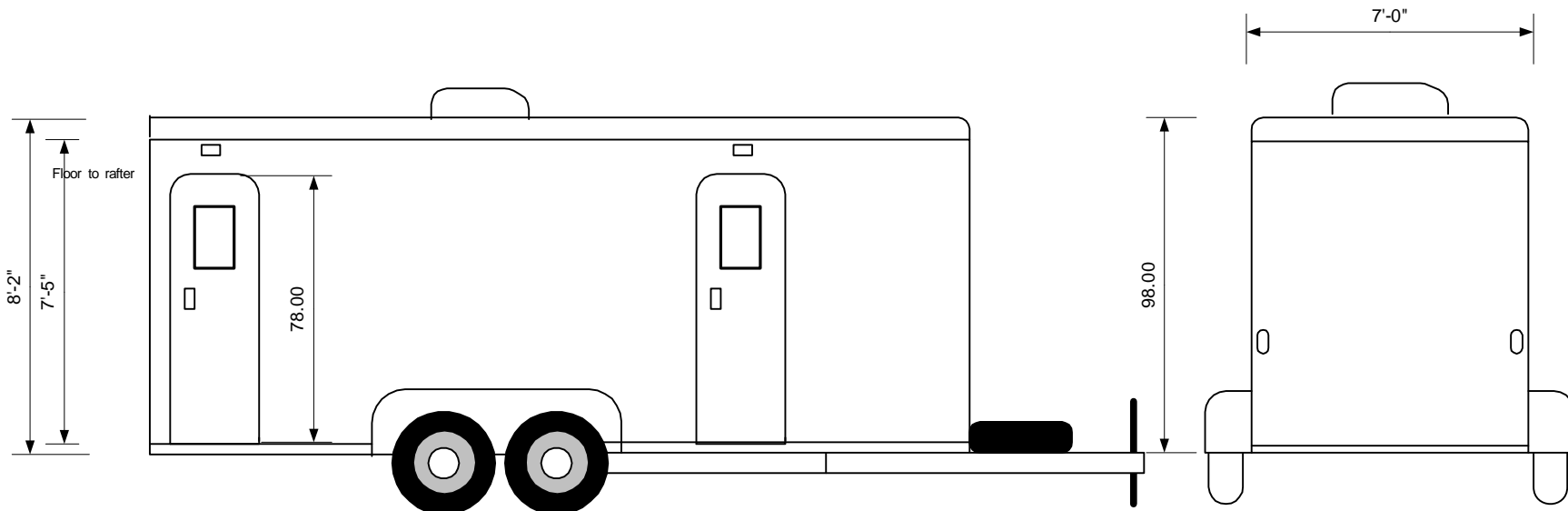
Approved by \_\_\_\_\_





## Advanced Performance APF 20-2S3T3U

- 2000 flush capacity
- Requires 30amp 110AC
- Steel frame and exterior
- Leveling Jacks and Spare
- 250 gallon waste tank capacity
- 250 gallons fresh water storage
- Uses less than a pint per flush
- 3 Jet's™ Marine Toilets 3 urinals & Vacuumator™
- Obscure windows in radius doors
- Heat & Air Conditioned 15,000 BTU
- LED 50,000 hour burn lighting and trailer lighting
- Liquefies all waste paper and hygienic products
- All porcelain wall hung fixtures
- Self Pumping to Sewer Tap up to 100 yards w/10' head 1" line



This document is the property of and contains unpublished proprietary information and trade secrets of A.M.S. Global Inc. By accepting possession of the document the recipient agrees to make no copies transcriptions or any use of this document or the information contained herein except as authorized by A.M.S. Global Inc. and further agrees to safe keep this document and return it to A.M.S. Global Inc. upon demand.

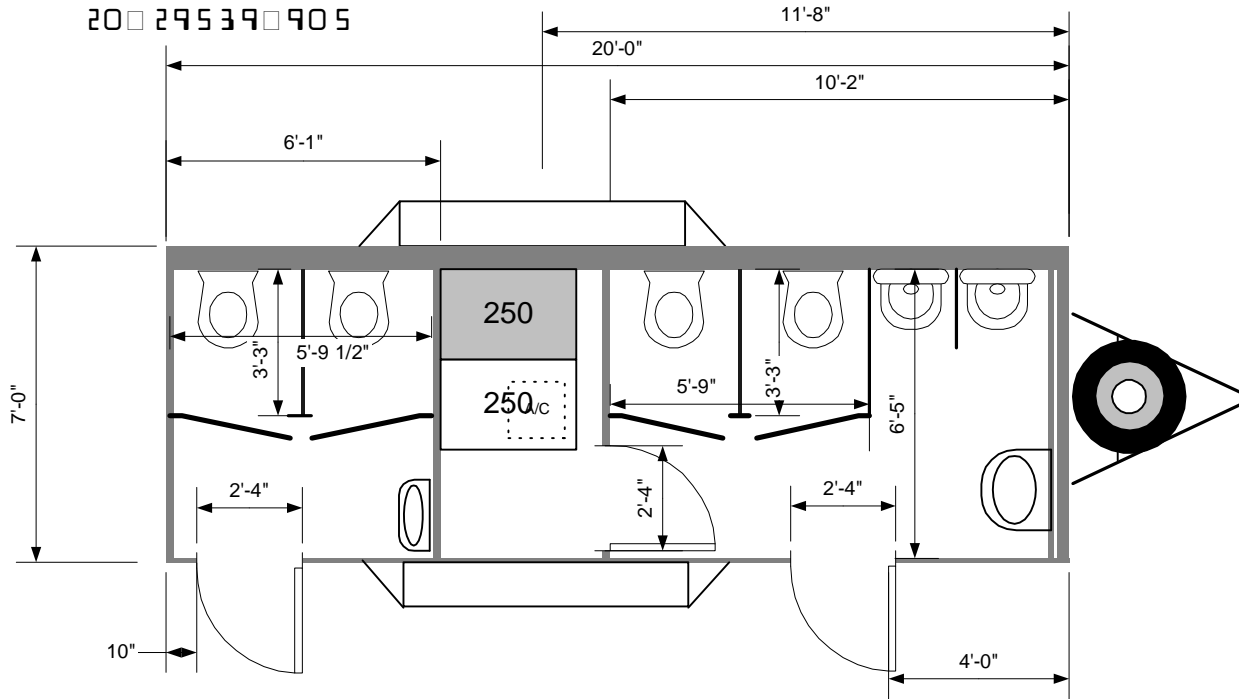


Approved by \_\_\_\_\_



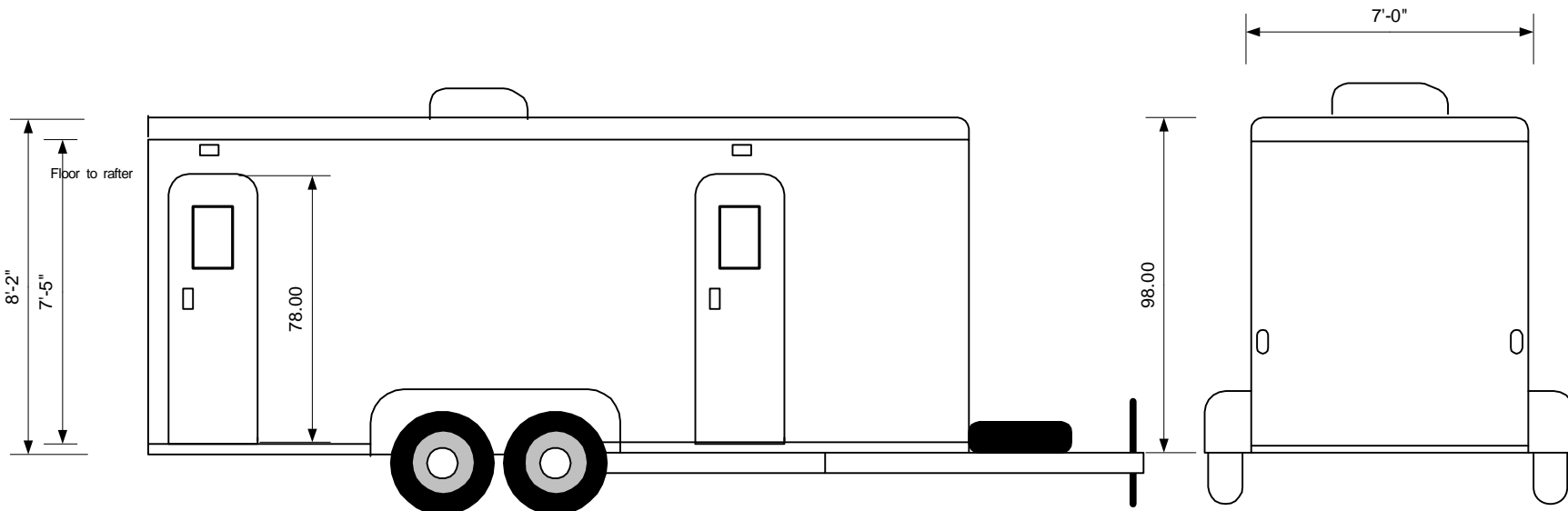


20 29539 905



## Advanced Performance APF 20-2S4T2U

- 2000 flush capacity
- Requires 30amp 110AC
- Steel frame and .040 aluminium exterior
- Leveling Jacks and Spare
- 250 gallon waste tank capacity
- 250 gallons fresh water storage
- Uses less than a pint per flush
- 4 Jet's™ Marine Toilets 2 urinals & Vacuumator™
- Obscure windows in radius doors
- Heat & Air Conditioned 15,000BTU 5500 BTU
- LED 50,000 hour burn lighting and trailer lighting
- Liquefies all waste paper and hygienic products
- All porcelain wall hung fixtures
- Stainless steel soap, tissue & towel dispensers
- Self Pumping to Sewer Tap up to 100 yards w/10' head 1" line

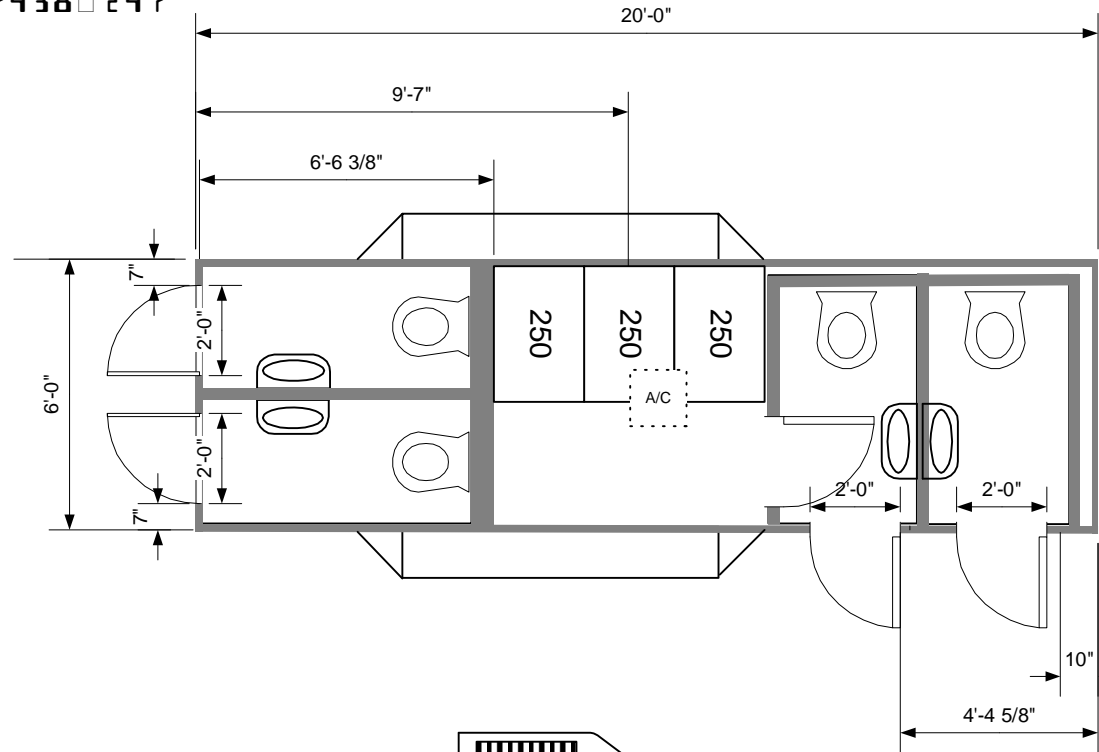


This document is the property of and contains unpublished proprietary information and trade secrets of A.M.S. Global Inc. By accepting possession of the document the recipient agrees to make no copies transcriptions or any use of this document or the information contained herein except as authorized by A.M.S. Global Inc. and further agrees to safe keep this document and return in to A.M.S. Global Inc. upon demand.

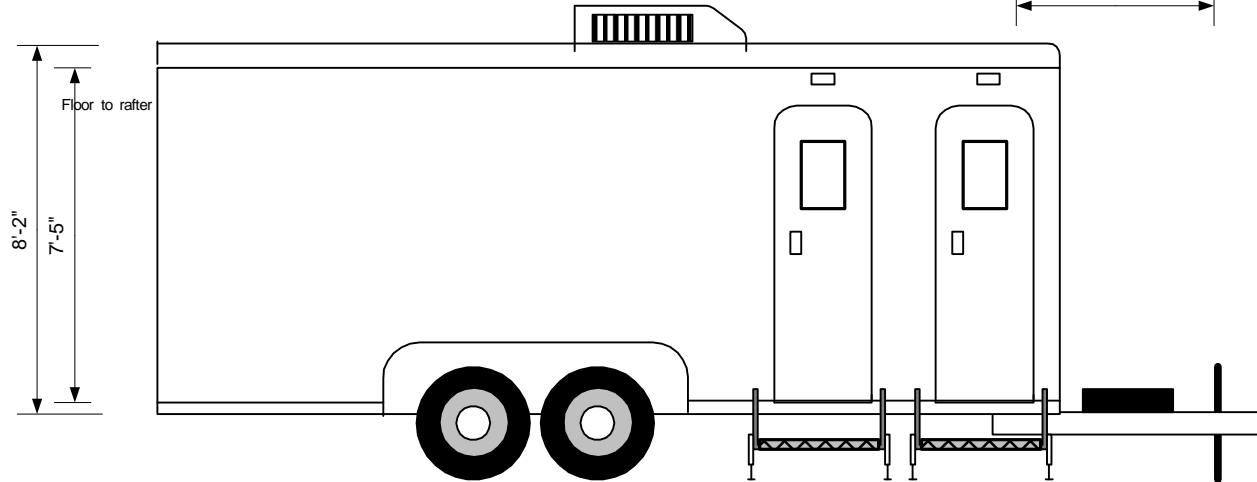
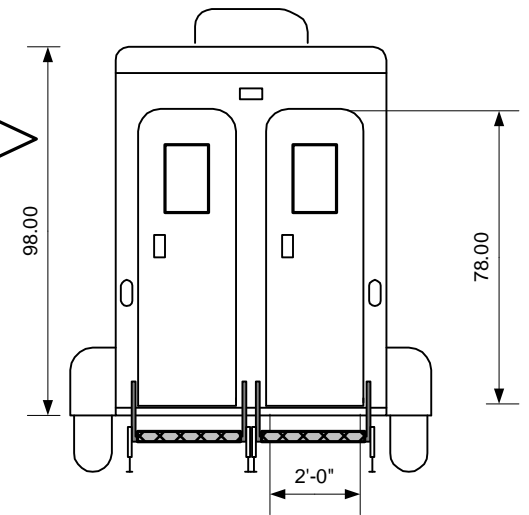
Approved by \_\_\_\_\_



190979380297



**Advanced Performance  
APF 20-4ST**



- Leveling Jacks**
- 4000 flush capacity**
- Requires 30amp 110AC**
- Steel frame and exterior w/spare**
- 500 gallon waste tank capacity**
- 250 gallons fresh water storage**
- Uses less than a pint per flush**
- 4 Jet s™ Marine Toilets & Vacuumator™**
- Obscure windows in radius doors**
- Heat & Air Conditioned 15,000BTU/5500**
- LED 30,000 hour burn lighting and trailer lighting**
- Liquefies all waste paper and hygienic products**
- All porcelain wall hung fixtures**
- Self Pumping to Sewer Tap up to 100 yards w/10' head with 1" line**

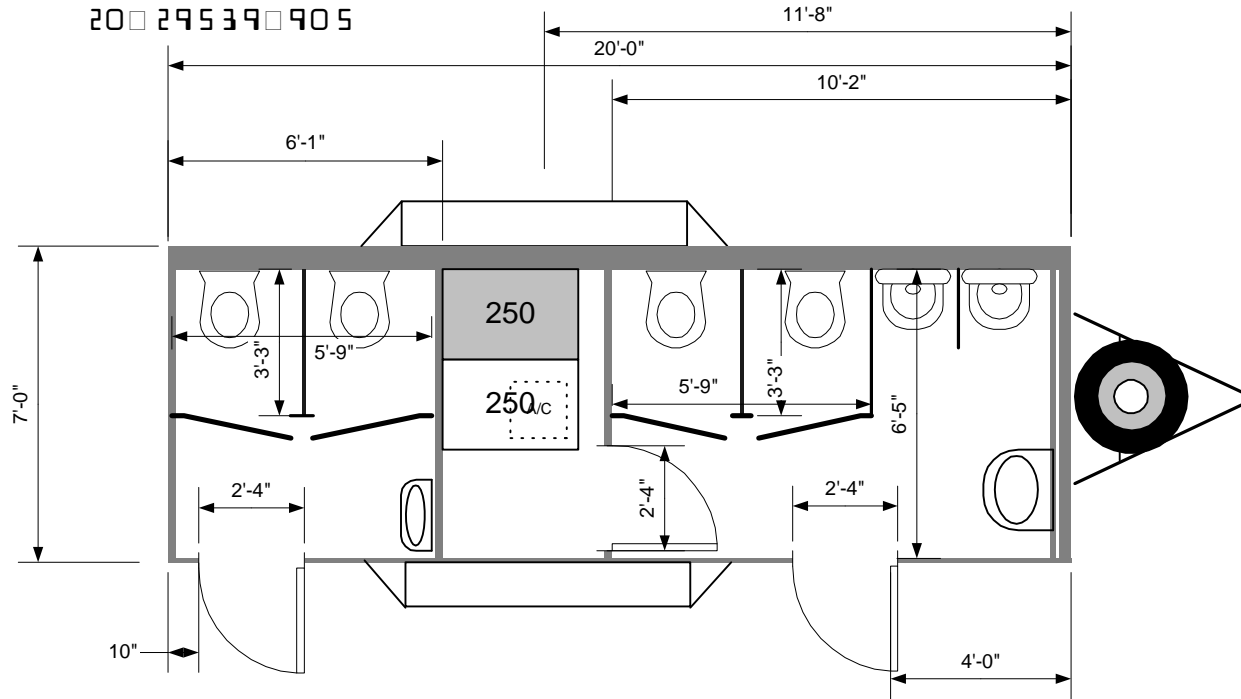
This document is the property of and contains unpublished proprietary information and trade secrets of A.M.S. Global Inc. By accepting possession of the document the recipient agrees to make no copies transcriptions or any use of this document or the information contained herein except as authorized by A.M.S. Global Inc. and further agrees to safe keep this document and return in to A.M.S. Global Inc. upon demand.

Approved by \_\_\_\_\_



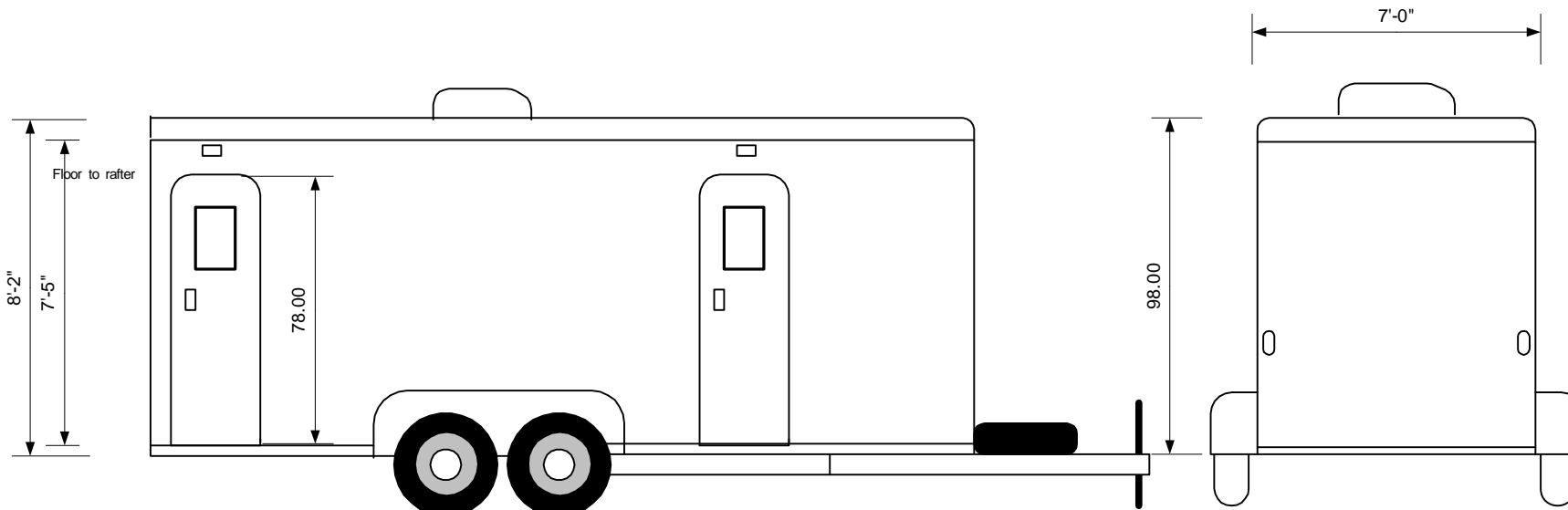


20 29539 905



## Advanced Performance APF 20-2S4T2U

- 2000 flush capacity
- Requires 30amp 110AC
- Steel frame and .040 aluminium exterior
- Leveling Jacks and Spare
- 250 gallon waste tank capacity
- 250 gallons fresh water storage
- Uses less than a pint per flush
- 4 Jet s™ Marine Toilets 2 urinals & Vacuumator™
- Obscure windows in radius doors
- Heat & Air Conditioned 15,000BTU 5500 BTU
- LED 50,000 hour burn lighting and trailer lighting
- Liquefies all waste paper and hygienic products
- All porcelain wall hung fixtures
- Stainless steel soap, tissue & towel dispensers
- Self Pumping to Sewer Tap up to 100 yards w/10' head 1" line



This document is the property of and contains unpublished proprietary information and trade secrets of A.M.S. Global Inc. By accepting possession of the document the recipient agrees to make no copies transcriptions or any use of this document or the information contained herein except as authorized by A.M.S. Global Inc. and further agrees to safe keep this document and return in to A.M.S. Global Inc. upon demand.

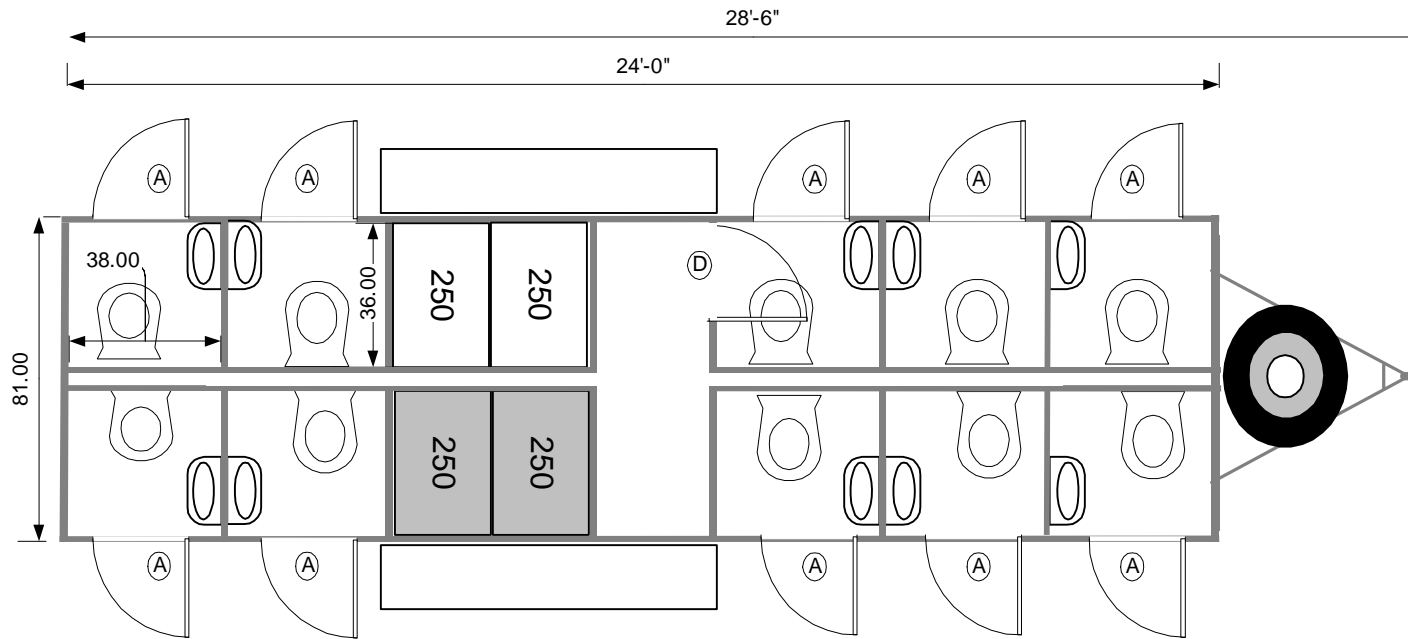


Approved by \_\_\_\_\_



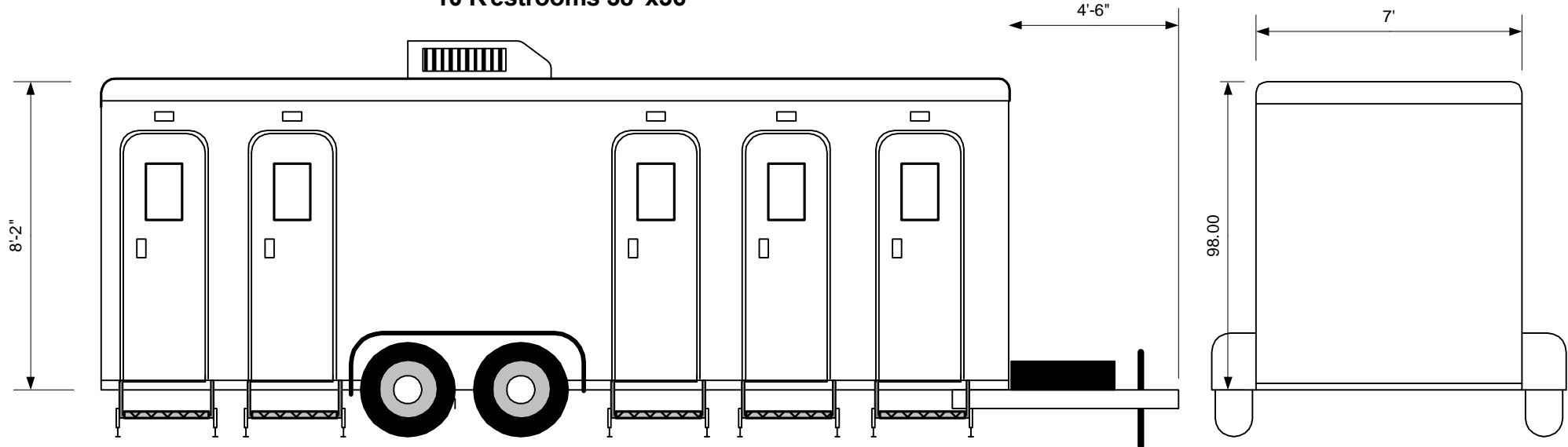
360635650849

# Advanced Performance 24-10ST



**10 Restrooms 38"x36"**

- Leveling Jacks
- 4000 flush capacity
- Requires 30amp 120VAC
- Steel frame w /Spare
- All Composite & metal
- 500 gallon waste tank capacity
- 500 gallons fresh water storage
- Uses less than a quart per flush
- 10 Jets™ Marine Toilets
- Obscure windows in radius doors
- Heat & Air Conditioned 15,000BTU
- 5500 BTU Heat & Vacuumator™
- LED 50,000 hour burn lighting
- Liquefies all waste paper products
- All porcelain wall hung fixtures
- Self Pumping to Sewer Tap up to 300 feet w/10' head 1" line



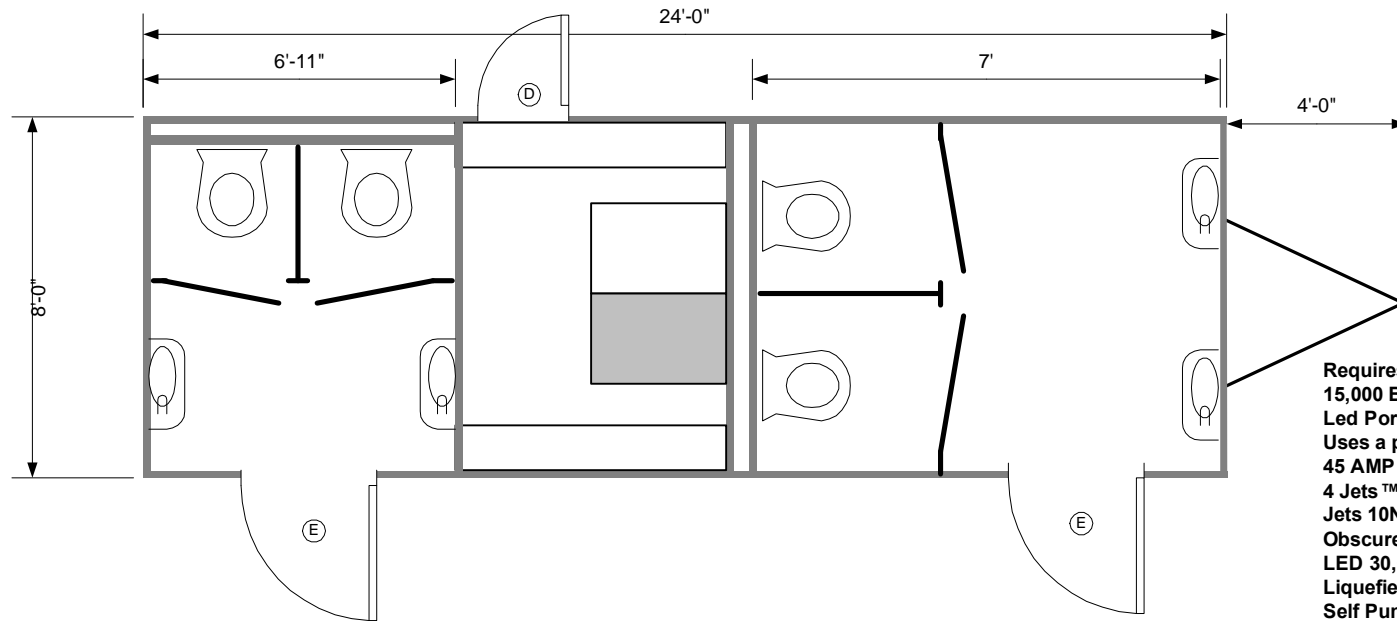
This document is the property of and contains unpublished proprietary information and trade secrets of A.M.S. Global Inc. By accepting possession of the document the recipient agrees to make no copies transcriptions or any use of this document or the information contained herein except as authorized by A.M.S. Global Inc. and further agrees to safe keep this document and return in to A.M.S. Global Inc. upon demand.

Approved by \_\_\_\_\_



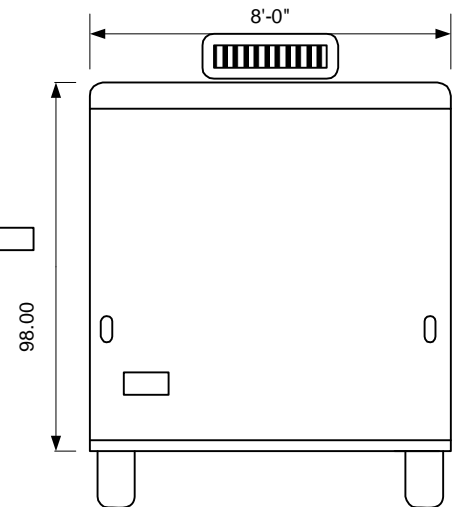
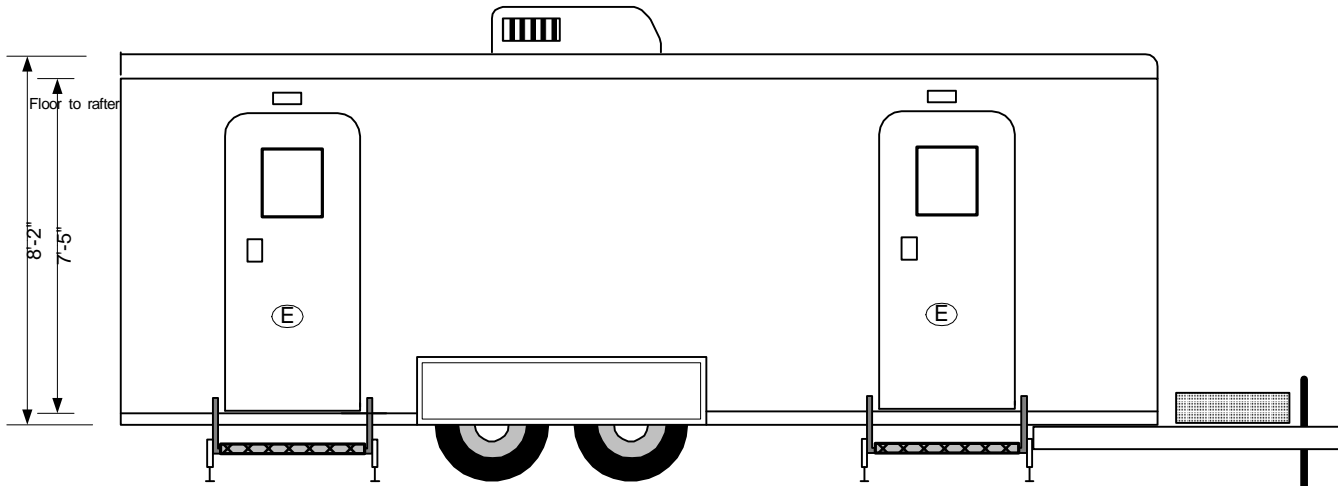
17006030552

# Advanced Performance 24 4ST



- Ⓓ 48"x24" radius LH
- Ⓔ 78"x36" radius LH

Requires 15amp 110AC  
 15,000 BTU A/C 5,500 watts heat  
 Led Porch Lighting  
 Uses a pint per flush  
 45 AMP power converter  
 4 Jets™ Marine Toilets  
 Jets 10NT Vacumator™  
 Obscure windows in radius doors  
 LED 30,000 hour burn lighting and trailer lighting  
 Liquefies all waste and hygienic products  
 Self Pumping to Sewer Tap  
 Over 100' w/10' head 1" line  
 Porcelain wall hung fixtures & metered faucets  
 Acrylic unbreakable mirrors  
 Diamond plate Double Epoxy Ganitised Steel Floor  
 .040 Aluminium Exterior 1.5 inch tubular walls  
 Leveling Jacks  
 All composite walls in terior



This document is the property of and contains unpublished proprietary information and trade secrets of A.M.S. Global Inc. By accepting possession of the document the recipient agrees to make no copies transcriptions or any use of this document or the information contained herein except as authorized by A.M.S. Global Inc. and further agrees to safe keep this document and return in to A.M.S. Global Inc. upon demand.



Approved by \_\_\_\_\_



250345550461

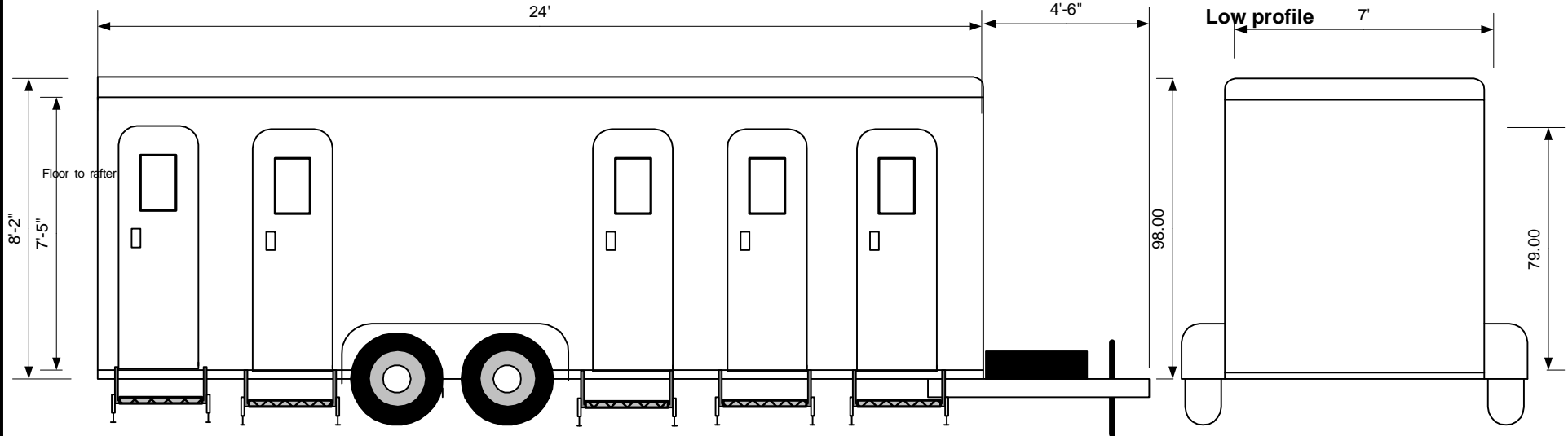
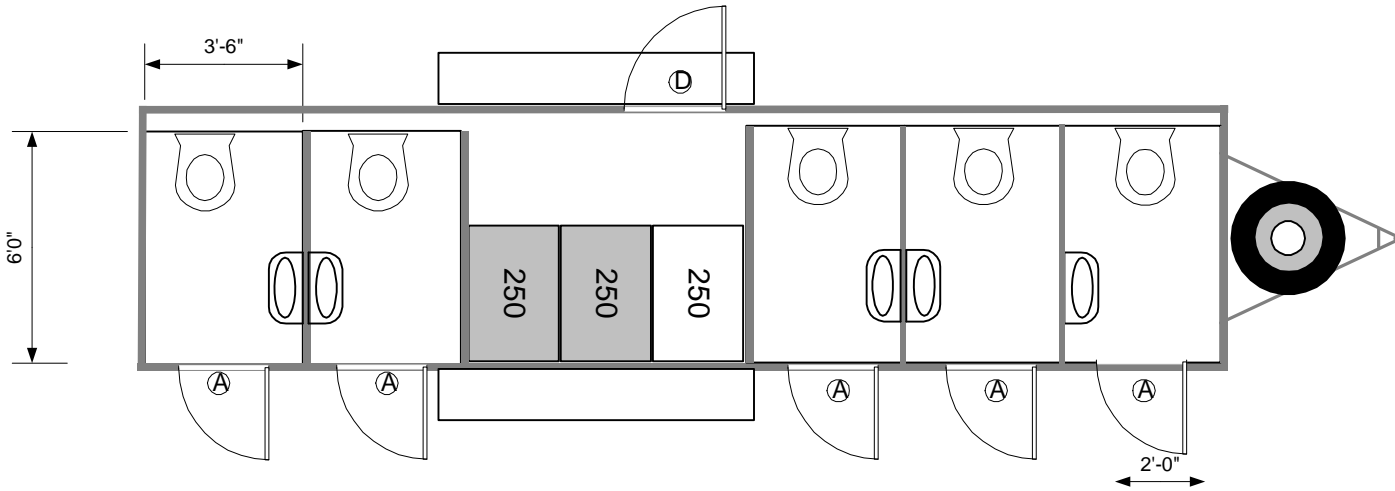
28'-0"



# Advanced Performance

## APF 24-5ST

- Leveling Jacks
- 4000 flush capacity
- Requires 30amp 110AC
- Steel frame and exterior
- 500 gallon waste tank capacity
- 250 gallons fresh water storage
- Uses less than a pint per flush
- 5 Jets™ Marine Toilets
- Jets™ 10 nt Vacuumator™
- Obscure windows in radius doors
- Heat & Air Conditioned 15,000BTU
- LED 50,000 hour burn lighting
- Liquefies all waste paper products
- All porcelain wall hung fixtures
- Self Pumping to Sewer Tap up to 300 feet w/10' head 1" line
- Low profile 7'



This document is the property of and contains unpublished proprietary information and trade secrets of A.M.S. Global Inc. By accepting possession of the document the recipient agrees to make no copies transcriptions or any use of this document or the information contained herein except as authorized by A.M.S. Global Inc. and further agrees to safe keep this document and return in to A.M.S. Global Inc. upon demand.

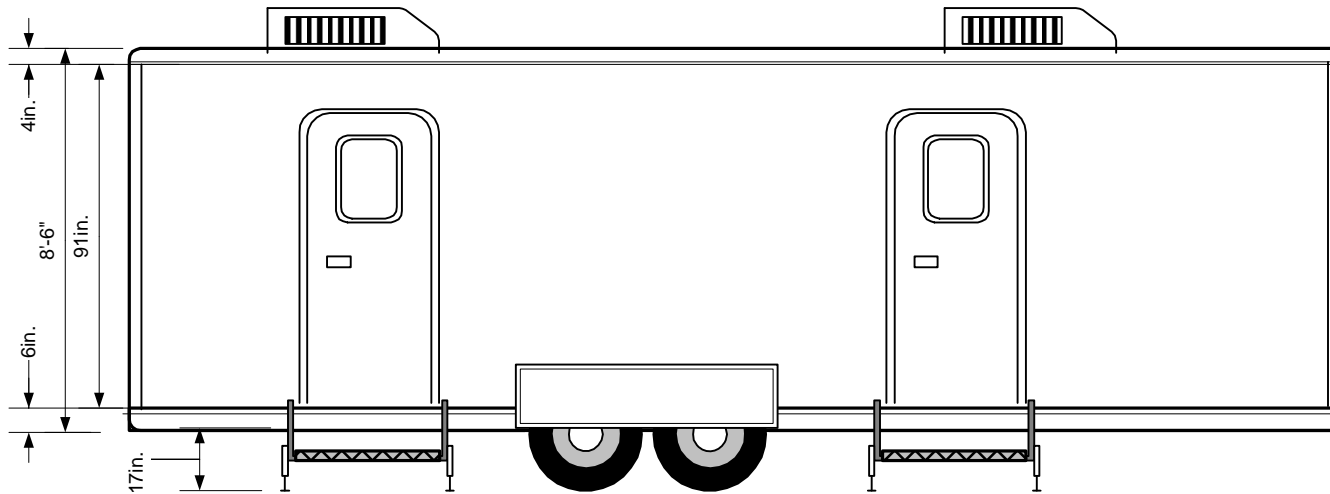


Approved by \_\_\_\_\_

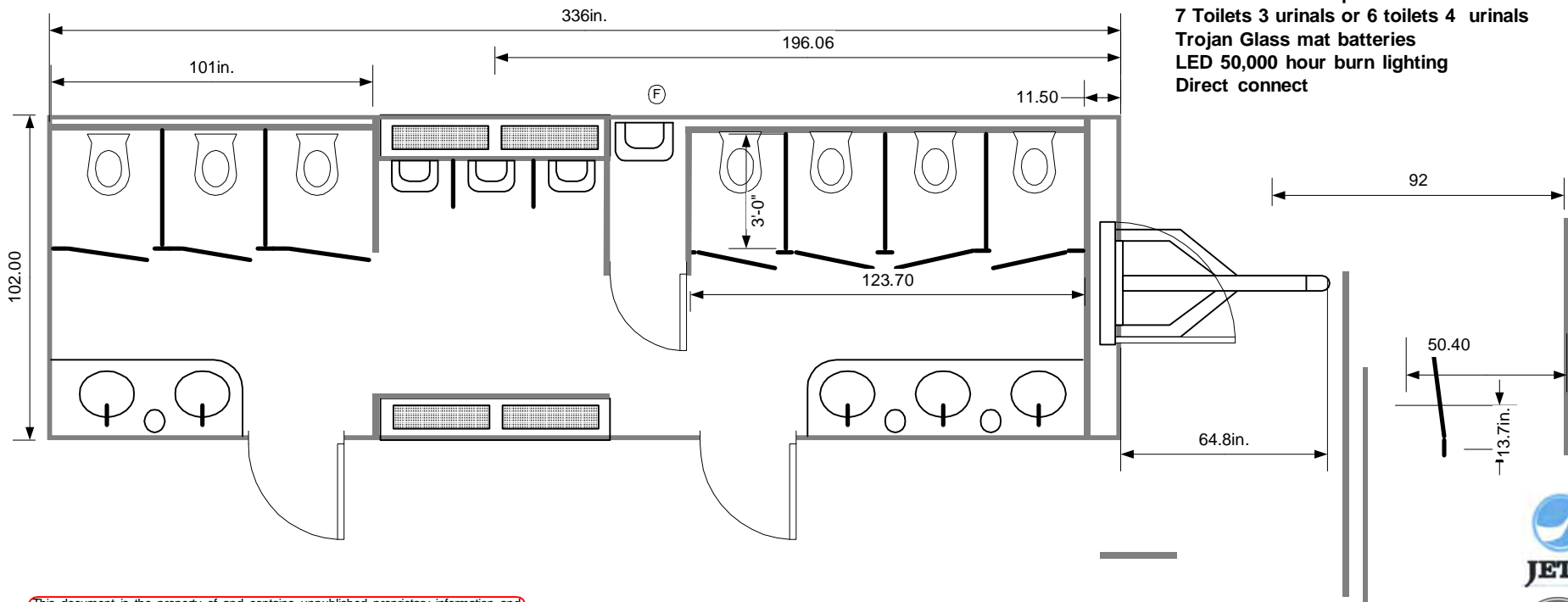


3 2 0 1 3 5 4 9 0 9 3 8

# Advanced Performance 28 5S7T3U



- 2 one step landings
- Retractable tongue
- 2 Remote controlled leveling jacks 16,000 lb
- 2 7000 pound axles with electric brakes
- Air Conditioned 30,000 BTU heat 11000
- 4000 watts auxiliary electric heat
- 50 amp 240 AC power required
- All metal and composite construction
- 7 Toilets 3 urinals or 6 toilets 4 urinals
- Trojan Glass mat batteries
- LED 50,000 hour burn lighting
- Direct connect



This document is the property of and contains unpublished proprietary information and trade secrets of A.M.S. Global Inc. By accepting possession of the document the recipient agrees to make no copies transcriptions or any use of this document or the information contained herein except as authorized by A.M.S. Global Inc. and further agrees to safe keep this document and return in to A.M.S. Global Inc. upon demand

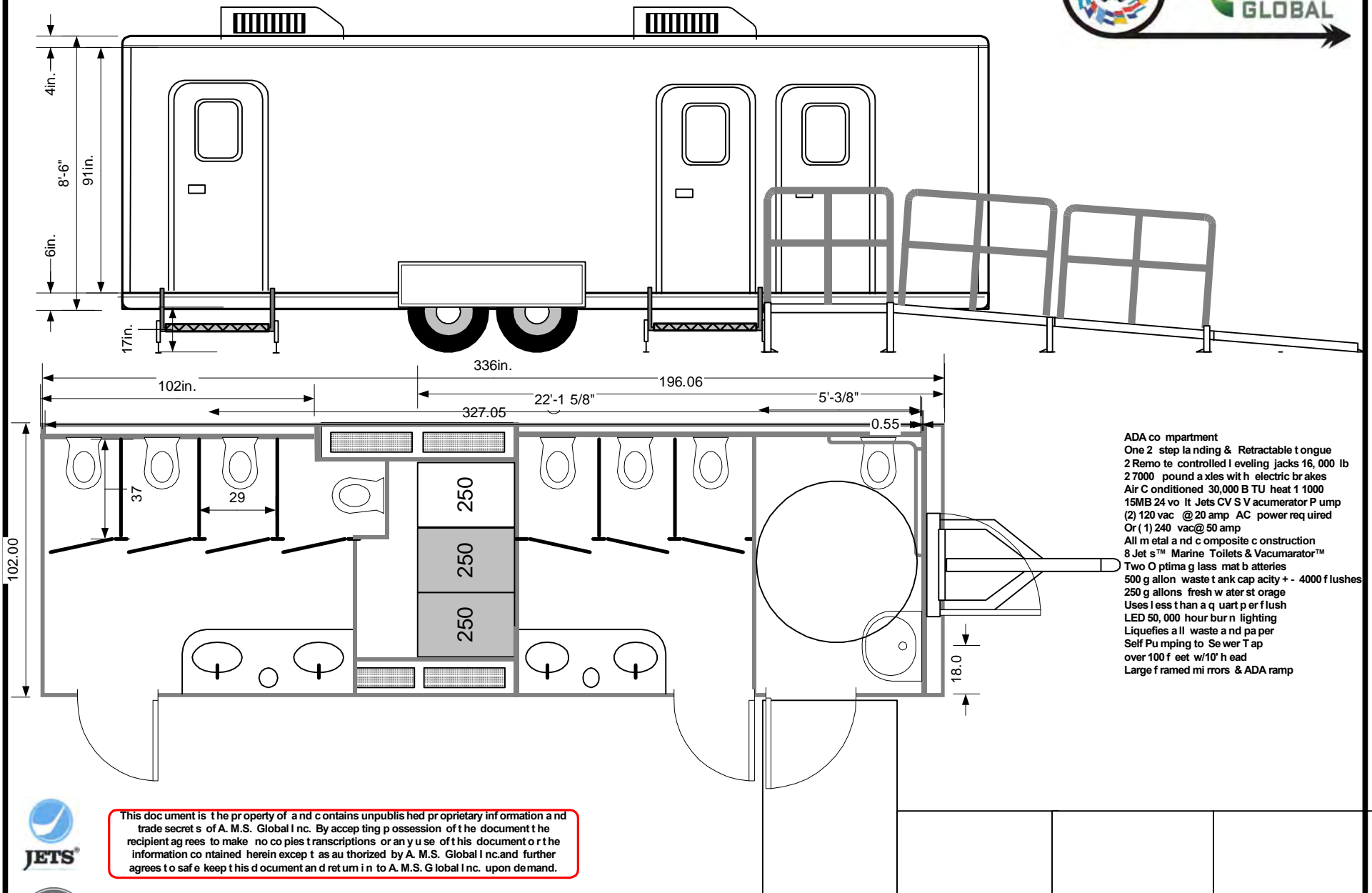
Approved by \_\_\_\_\_

www.AMSglobal.us (877) 789-1213 Copyright 2011 A.M.S. Global Inc. All rights reserved



39 960 70 649

# Advanced Performance 28 5S8T ADA



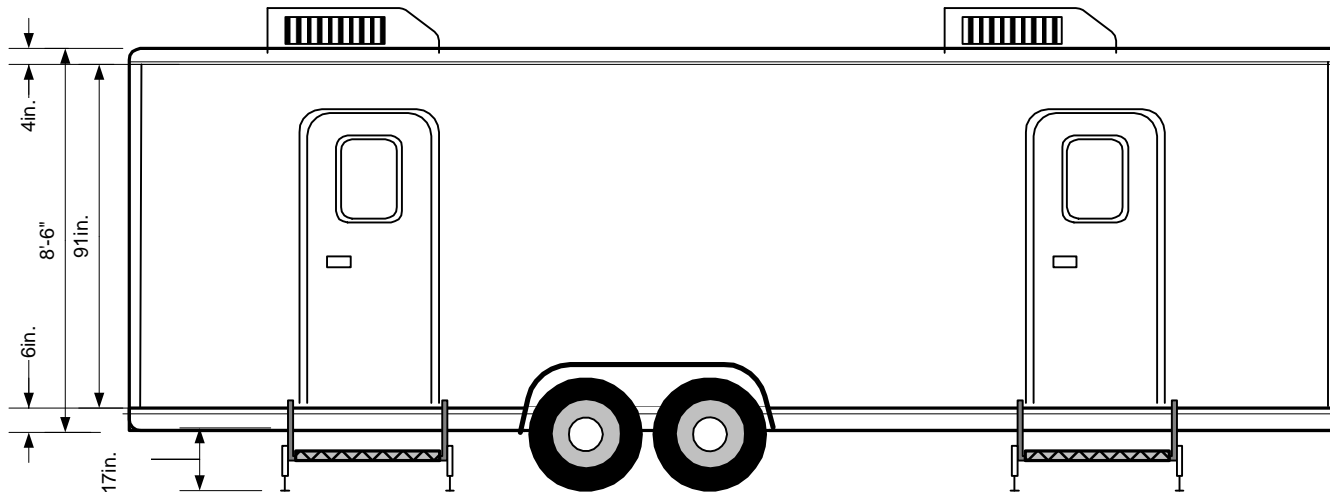
This document is the property of and contains unpublished proprietary information and trade secrets of A. M.S. Global Inc. By accepting possession of the document the recipient agrees to make no copies, transcriptions or any use of this document or the information contained herein except as authorized by A. M.S. Global Inc. and further agrees to safely keep this document and return it to A. M.S. Global Inc. upon demand.



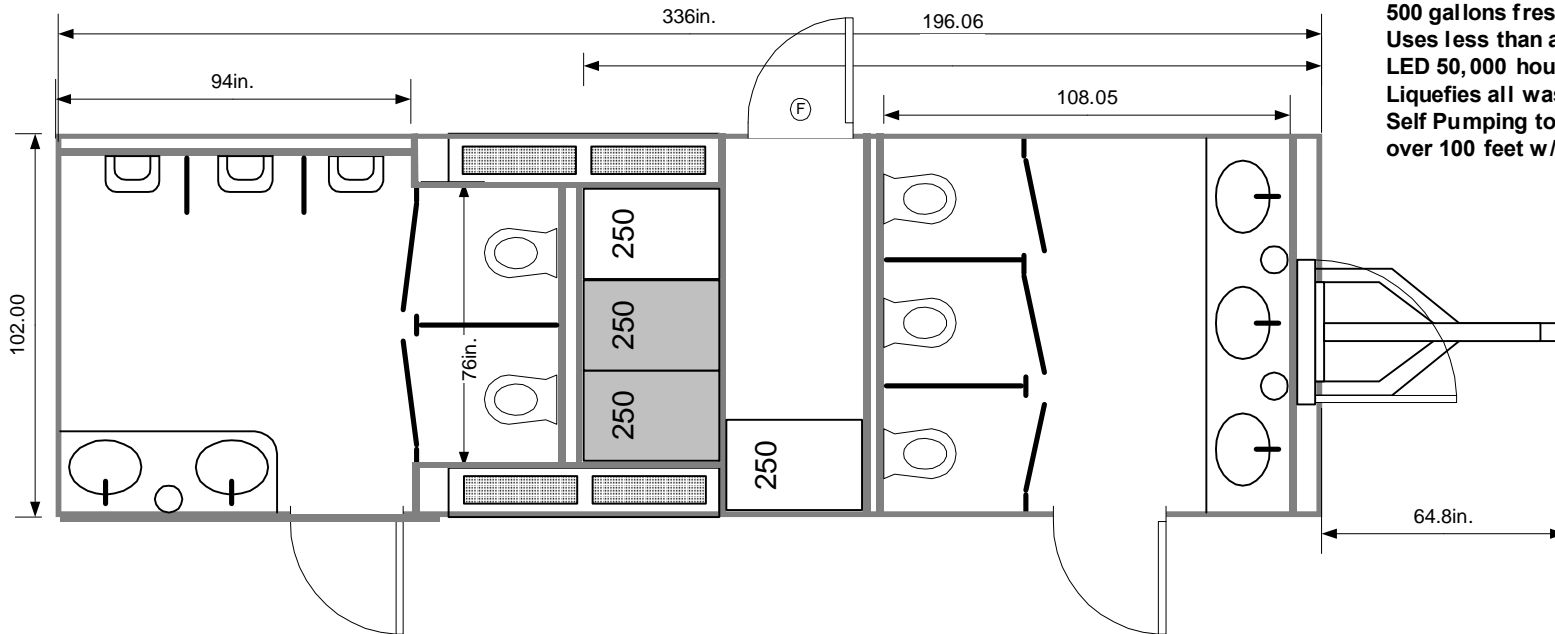
Approved by \_\_\_\_\_

34 0 7 7 3 5 9 0 9 6 6

# Advanced Performance APF 28 5ST3U



- 2 one step landings
- Retractable tongue
- 2 Remote controlled leveling jacks 16,000 lb
- 2 7000 pound axles with electric brakes
- Air Conditioned 30,000 BTU heat 11000
- 15MB 24 volt Jets Vacuumator™ Pump
- 240v@50 amp AC power required
- All metal and composite construction
- 5 Jets™ Marine Toilets & 3 urinals
- 500 gallon waste tank capacity +- 4000 flushes
- 500 gallons fresh water storage
- Uses less than a quart per flush
- LED 50,000 hour burn lighting
- Liquefies all waste and paper
- Self Pumping to Sewer Tap
- over 100 feet w/10' head



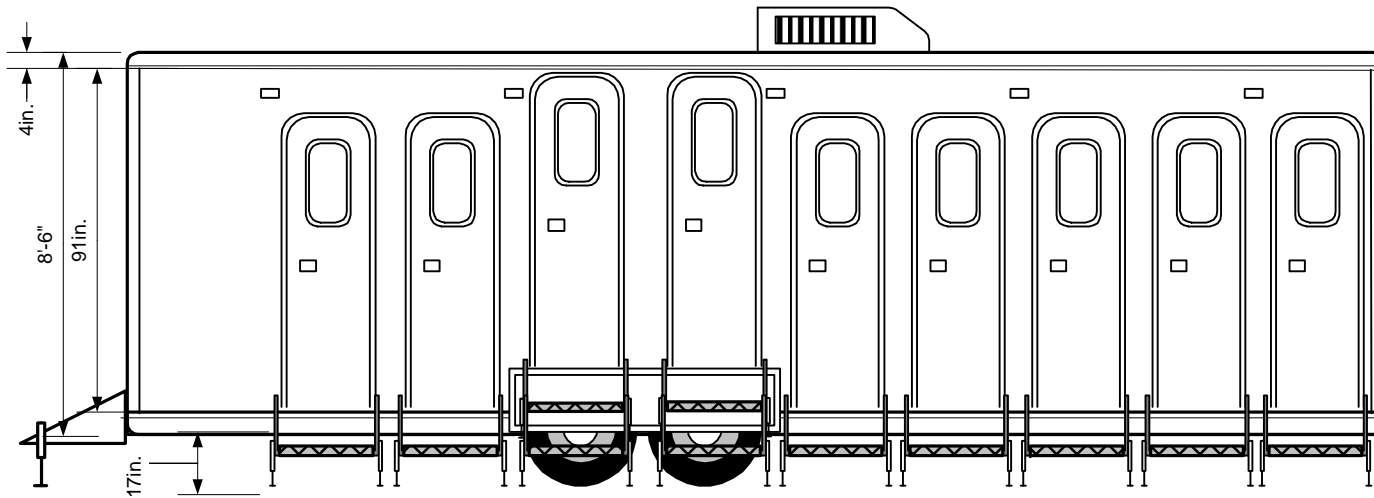
This document is the property of and contains unpublished proprietary information and trade secrets of A.M.S. Global Inc. By accepting possession of the document the recipient agrees to make no copies, transcriptions or any use of this document or the information contained herein except as authorized by A.M.S. Global Inc. and further agrees to safe keep this document and return it to A.M.S. Global Inc. upon demand.

Approved by \_\_\_\_\_

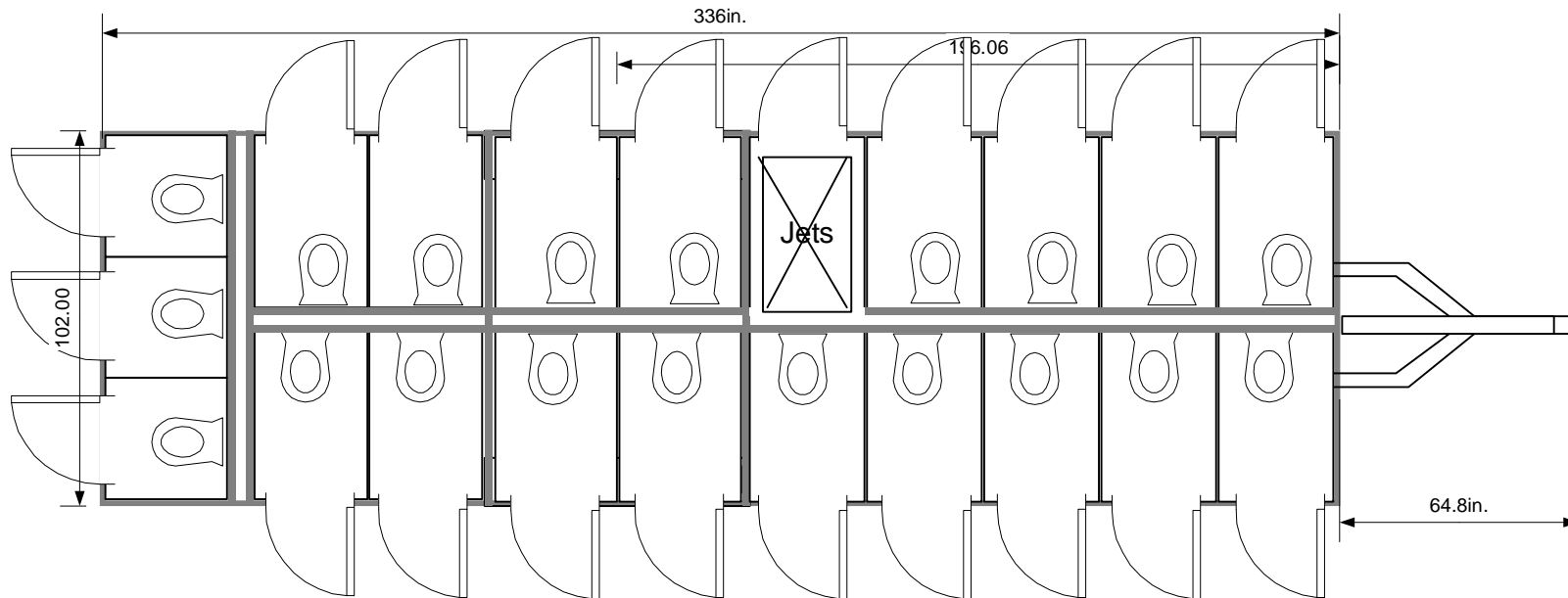


58 56398 7 1 2

# Advanced Performance 28 20T



- 21 one step landings
- leveling jacks 16,000 lb
- Automatic closing radius doors with sky light
- 2 8000 pound axles with electric brakes
- Air Conditioned 30,000 BTU heat 1100025
- 25MB 240 vac Jets™ Vacumarator™ Pump
- 240 vac @ 50 amp power required
- All metal and composite construction
- 20 Jets™ Marine Toilets
- Uses less than a quart per flush
- LED 50,000 hour burn lighting
- Liquefies all waste and paper
- Self Pumping to Sewer Tap
- over 100 feet w/10' head



This document is the property of and contains unpublished proprietary information and trade secrets of A.M.S. Global Inc. By accepting possession of the document the recipient agrees to make no copies transcriptions or any use of this document or the information contained herein except as authorized by A.M.S. Global Inc. and further agrees to safe keep this document and return in to A.M.S. Global Inc. upon demand.

Approved by \_\_\_\_\_

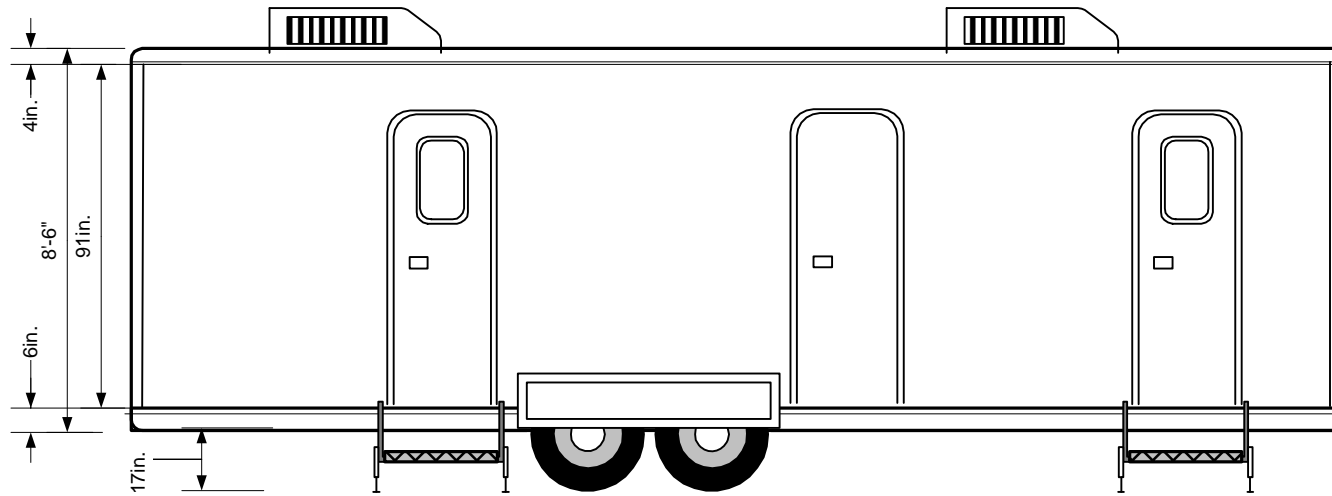
www.AMSglobal.us (877) 789-1213 Copyright 2011 A.M.S. Global Inc. All rights reserved



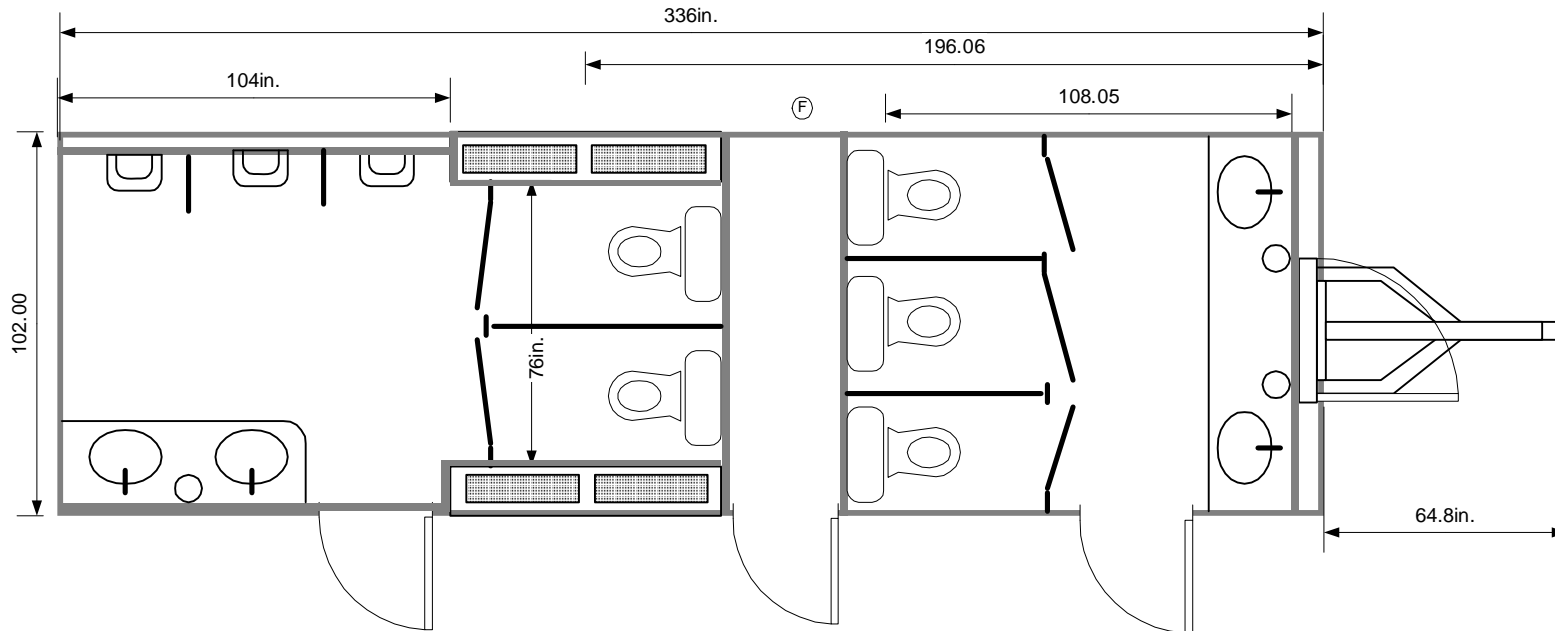


3 2 0 3 6 9 4 7 0 9 9 5

# Advanced Performance APF28 4S5T3U Direct



- Direct connect to sewer
- (4) heavy duty leveling jacks
- 45 amp power converter
- 50 amp 240V marine twist lock power connection
- All metal and composite construction (no wood)
- Tubular 1.5" steel tubular walls
- Dual 7000# axles with 16.5 radial tires
- Diamond plate double epoxy Granitised steel floor
- Bonded .040 aluminum exterior
- (2) large aluminum step platforms with 18" x 72" fender skirts
- Retractable tongue
- Radius doors with obscure window skylight
- Composite pebble finished interior wall panels
- 50,000 hour burn LED lighting and trailer lighting
- LED porch lights
- (2) 15,000 BTU roof A/C units with (2) 5,500 watt heaters
- 6000 watt auxiliary heat
- Double foil radiant barrier insulation
- Onboard pressure tank
- Heavy duty Bradley toilet and urinal partitions
- (4) sinks
- (5) standard tank toilets
- (3) auto flushing urinals
- (4) framed mirrors
- Stainless steel soap, tissue, paper towel dispensers, feminine napkin disposal



This document is the property of and contains unpublished proprietary information and trade secrets of A.M.S. Global Inc. By accepting possession of the document the recipient agrees to make no copies transcriptions or any use of this document or the information contained herein except as authorized by A.M.S. Global Inc. and further agrees to safe keep this document and return in to A.M.S. Global Inc. upon demand.

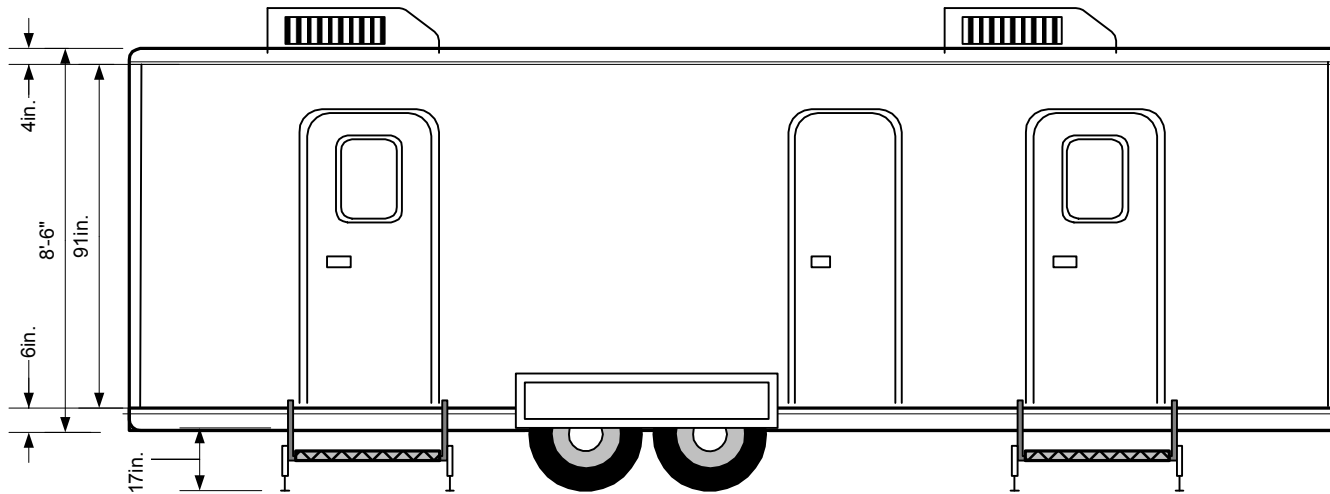
Approved by \_\_\_\_\_

www.AMSglobal.us (877) 789-1213 Copyright 2011 A.M.S. Global Inc. All rights reserved

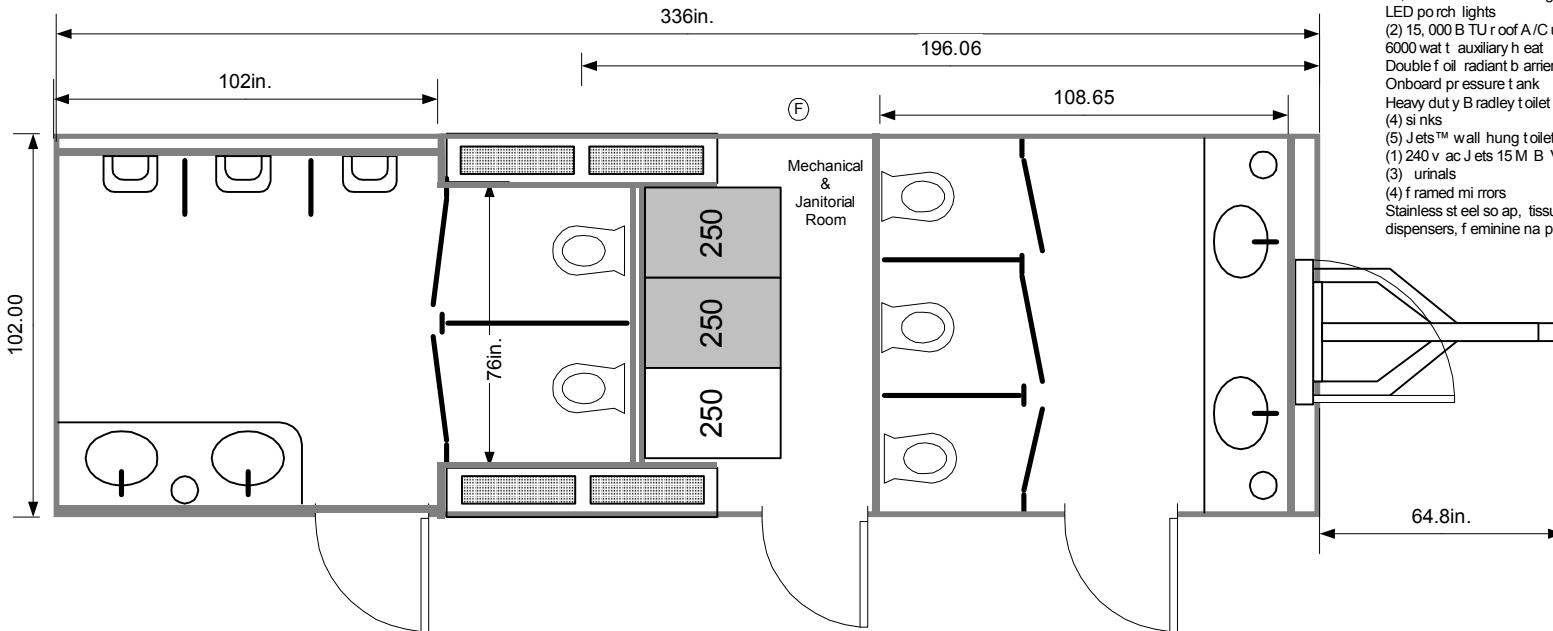


3 2 0 3 6 9 5 9 0 6 3 5

# Advanced Performance 28 5ST3U



- Direct connect to sewer or 4000 flush tanks (500 gal)
- 250 gal water tank
- (4) heavy duty leveling jacks none electric
- 45 amp power converter
- 50 amp 240V marine twist lock power connection
- All metal and composite construction (no wood)
- Tubular 1.5" steel tubular walls
- Dual 7000# axles with 16.5 radial tires
- Diamond plate double epoxy G ranitised steel floor
- Bonded .040 aluminum exterior
- (2) large aluminum step platforms with 18" x 72" fender skirts
- Retractable tongue
- Radius doors with obscure window skylight
- Composite pebble finished interior wall panels
- 50,000 hour burn LED lighting and trailer lighting
- LED porch lights
- (2) 15,000 BTU roof A/C units with (2) 5,500 BTU heaters
- 6000 watt auxiliary heat
- Double foil radiant barrier insulation
- Onboard pressure tank
- Heavy duty Bradley toilet and urinal partitions
- (4) sinks
- (5) Jets™ wall hung toilets
- (1) 240 volt Jets 15 M B Vacuumator™
- (3) urinals
- (4) framed mirrors
- Stainless steel soap, tissue, paper towel dispensers, feminine skin disposal



This document is the property of and contains unpublished proprietary information and trade secrets of A.M.S. Global Inc. By accepting possession of this document the recipient agrees to make no copies, transcriptions or any use of this document or the information contained herein except as authorized by A.M.S. Global Inc. and further agrees to safe keep this document and return in to A.M.S. Global Inc. upon demand.

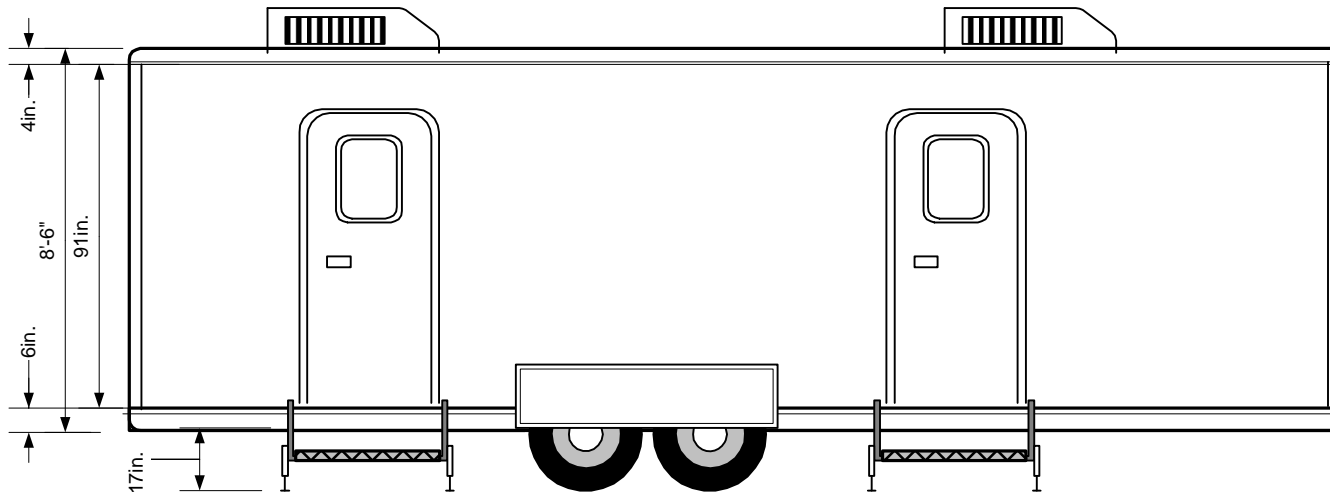
Approved by \_\_\_\_\_

www.AMSglobal.us (877) 789-1213 Copyright 2011 A. M.S. Global Inc. All rights reserved

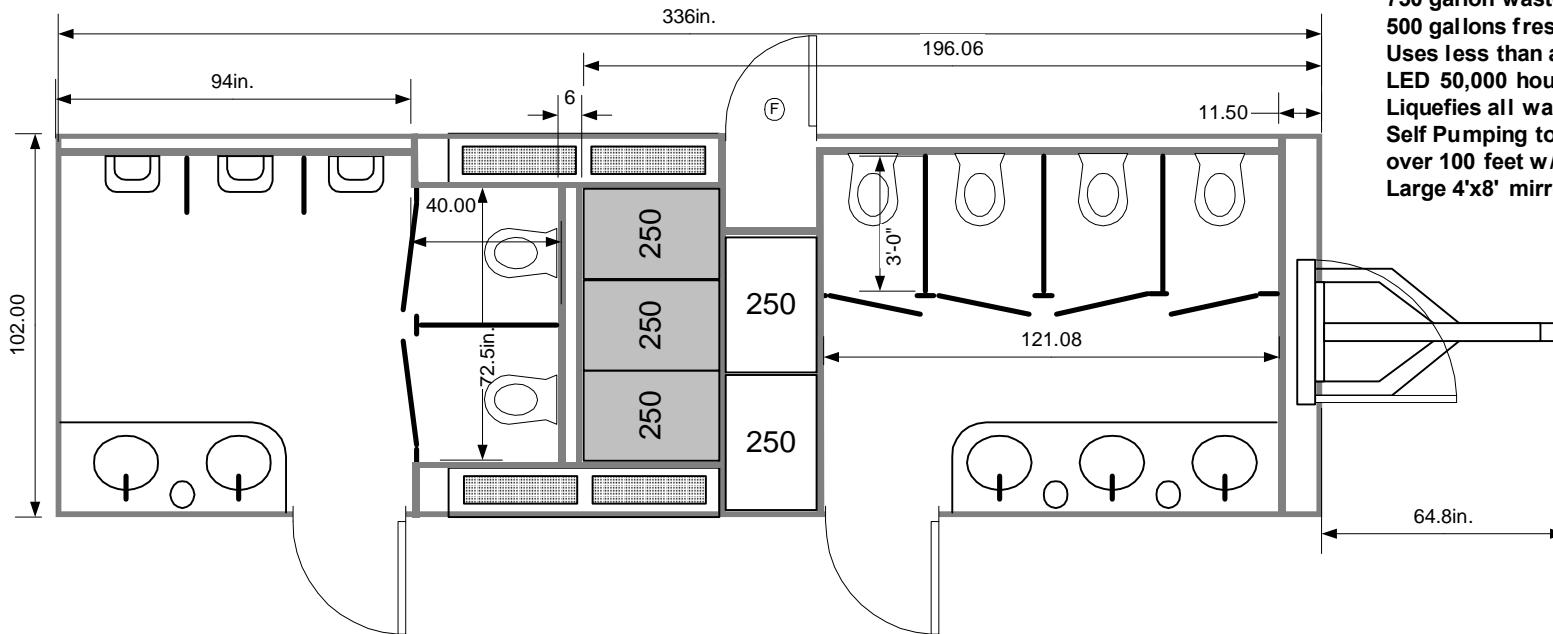


3 2 0 1 3 5 4 9 0 9 3 8

# Advanced Performance 28 5S6T3U



- 2 one step landings
- Retractable tongue
- 2 Remote controlled leveling jacks 16,000 lb
- 2 7000 pound axles with electric brakes
- Air Conditioned 30,000 BTU heat 11000
- 15MB 24 volt Jets™ CVS Vacuumator™ Pump
- (2) 120 v @ 20 amp AC power required
- All metal and composite construction
- 6 Jets™ Marine Toilets 3 urinals
- Two Optima glass mat batteries
- 750 gallon waste tank capacity +- 4000 flushes
- 500 gallons fresh water storage
- Uses less than a quart per flush
- LED 50,000 hour burn lighting
- Liquefies all waste and paper
- Self Pumping to Sewer Tap
- over 100 feet w/10' head
- Large 4'x8' mirrors



This document is the property of and contains unpublished proprietary information and trade secrets of A.M.S. Global Inc. By accepting possession of this document the recipient agrees to make no copies transcriptions or any use of this document or the information contained herein except as authorized by A.M.S. Global Inc. and further agrees to safe keep this document and return in to A.M.S. Global Inc. upon demand.

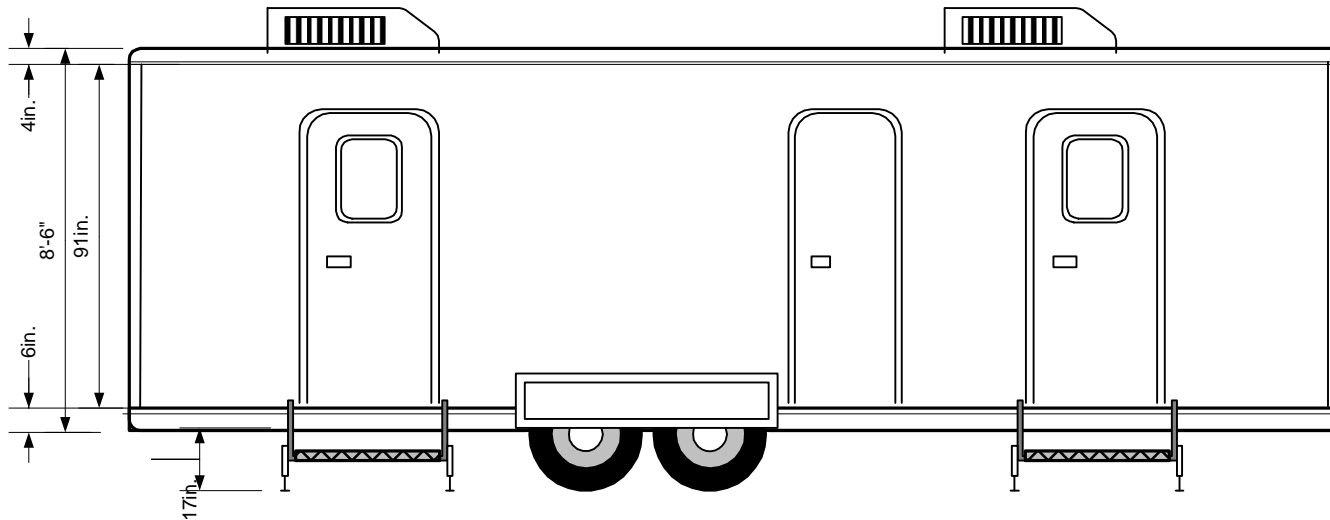
Approved by \_\_\_\_\_

www.AMSglobal.us (877) 789-1213 Copyright 2011 A.M.S. Global Inc. All rights reserved

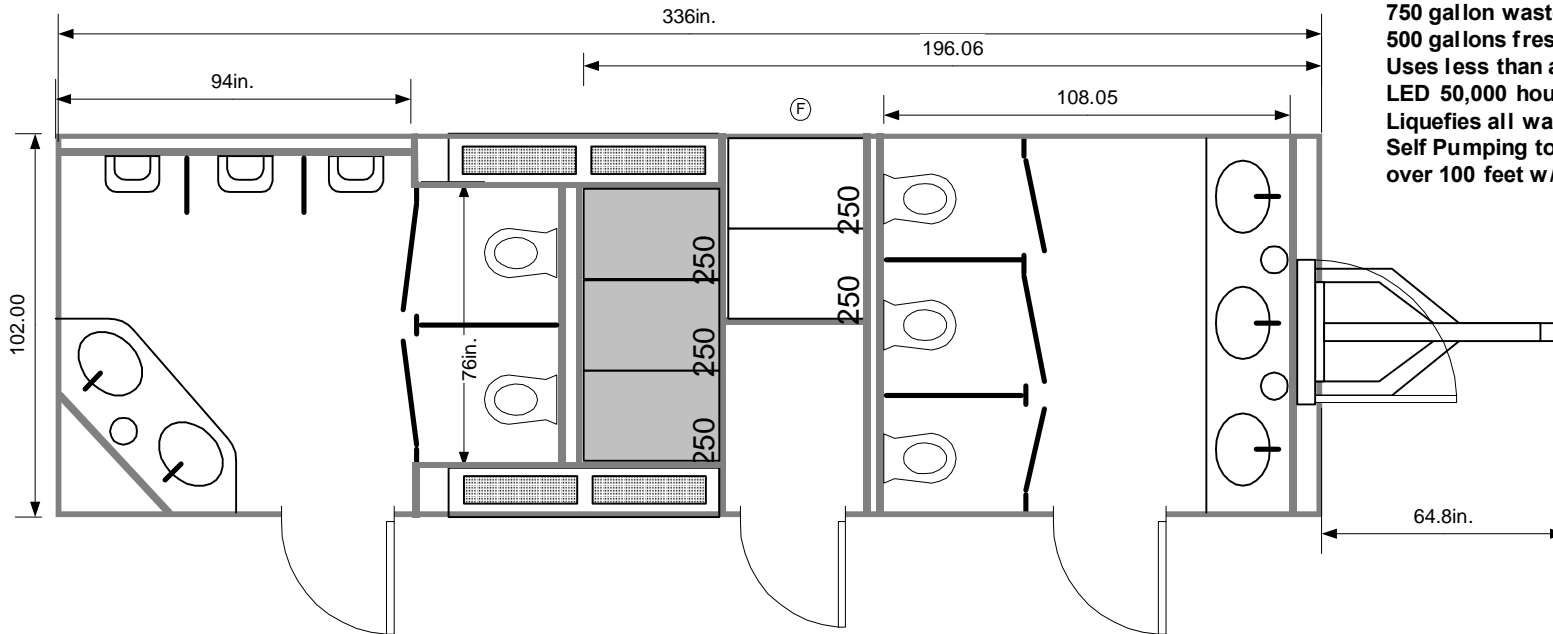


320369540895

# Advanced Performance 28 5ST3U HC



- 2 one step landings
- Retractable tongue
- 2 Remote controlled leveling jacks 16,000 lb
- 2 7000 pound axles with electric brakes
- Air C onditioned 30,000 BTU heat 11000
- Optima Jets™ Vacumator™ Pump
- 240vac @ 50amp AC power required
- All metal and composite construction
- 5 Jets™ Marine Toilets 3 urinals
- Trojan AGM battery
- 750 gallon waste tank capacity +- 6000 flushes
- 500 gallons fresh water storage
- Uses less than a quart per flush
- LED 50,000 hour burn lighting
- Liquefies all waste and paper
- Self Pumping to Sewer Tap
- over 100 feet w/10' head



This document is the property of and contains unpublished proprietary information and trade secrets of A.M.S. Global Inc. By accepting possession of this document the recipient agrees to make no copies transcriptions or any use of this document or the information contained herein except as authorized by A.M.S. Global Inc. and further agrees to safe keep this document and return in to A.M.S. Global Inc. upon demand

Approved by \_\_\_\_\_

www.AMSglobal.us (877) 789-1213 Copyright 2011 A.M.S. Global Inc. All rights reserved

