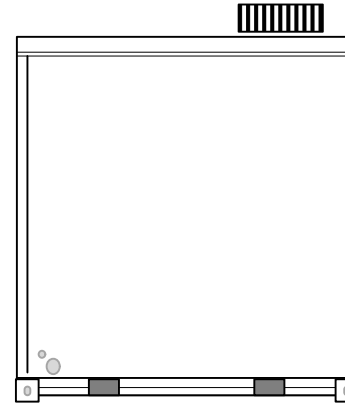
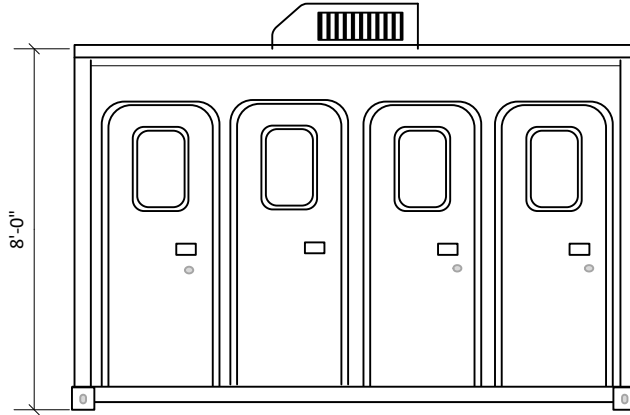


20-98442-720

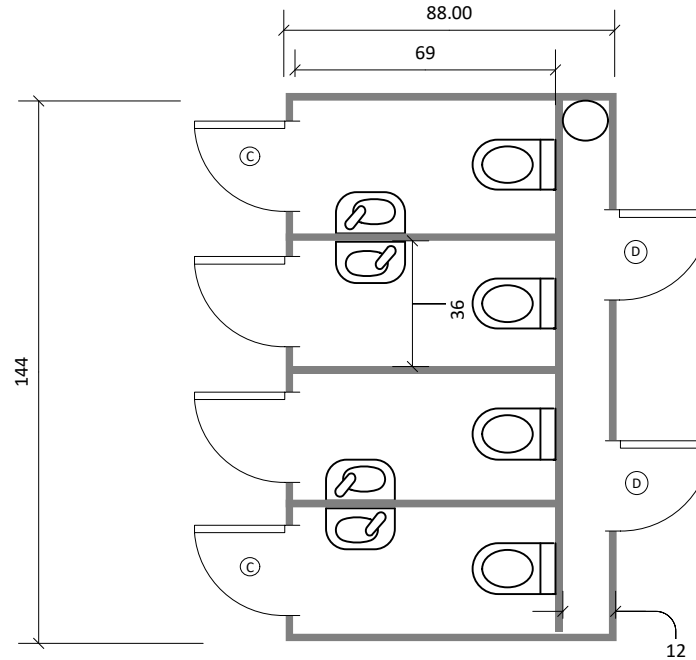


CI 12 4ST

- (A) 78"x24" RH
- (B) 48"x24" LH
- (C) 78"x24" LH
- (D) 48"x24" RH

- Porcelain wall hung fixtures and Mirrors
- Rubber coin over epoxy steel flooring
- 4 Wall hung elongated toilets and sinks
- Metered faucets 4 mirrors & SS dispensers
- Obscure skylights in radius doors
- Vandal resistant pebble finished wall panels
- Double foil radiant barrier insulation
- 15000 BTU A/C with 5500 watts heat
- Requires 30 amps @ 120 vac
- Led 50,000 hr LED lighting
- Automatic body sensing lighting
- All metal and composite construction
- Occupancy indicators
- Forklift pockets
- Direct connect to sewer and water**
- Requires 50 # of water pressure for commercial toilets**

Approved by _____



This document is the property of and contains unpublished proprietary information and trade secrets of A.M.S. Global Inc. By accepting possession of the document the recipient agrees to make no copies transcriptions or any use of this document or the information contained herein except as authorized by A.M.S. Global Inc. and further agrees to safe keep this document and return in to A.M.S. Global Inc. upon demand.

These restrooms are designed to be compliant with all current guidelines as we are aware of . Many guidelines have gray areas and points open to interpretation. Different entities may have differed interpretations or local differences. We suggest getting approvals of final plans from the authorities in the local the unit will be placed

