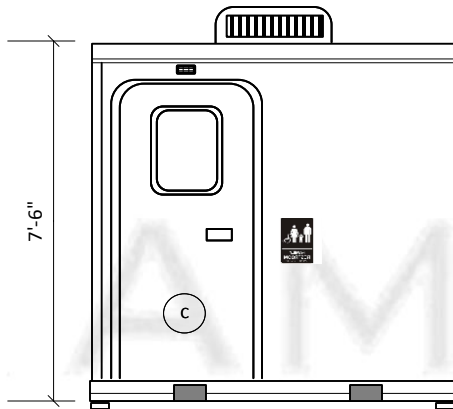
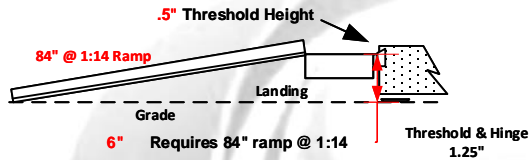
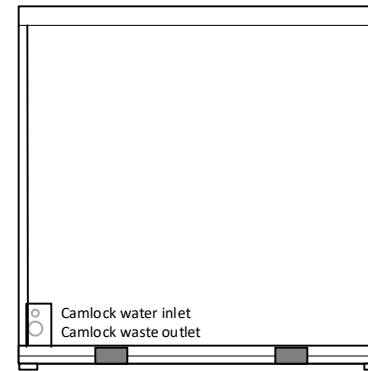


CI 8 ADA 1SS Direct



- (A) 78"x24" LH
- (B) 48"x24" RH
- (C) 80"x 36" RH

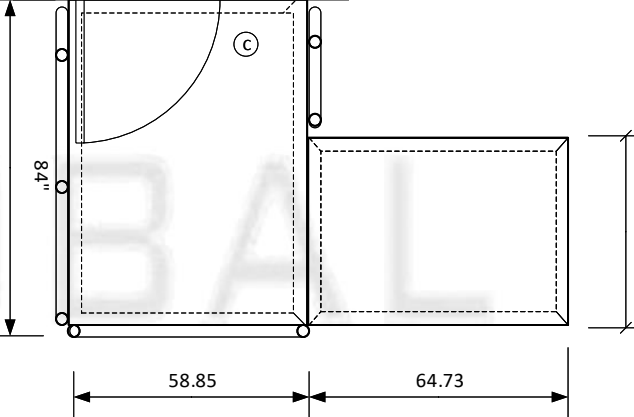
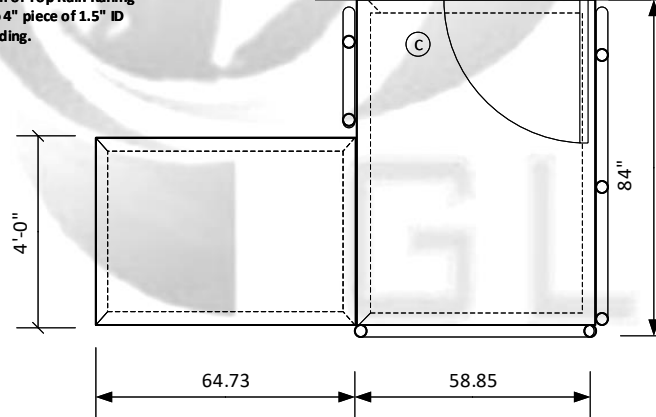
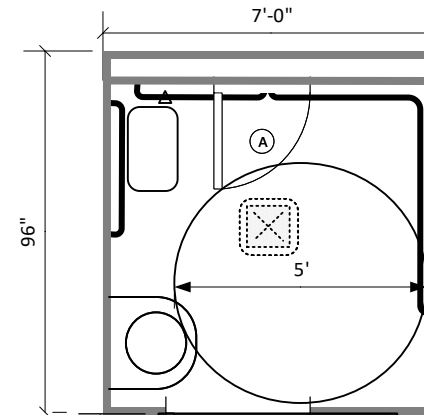
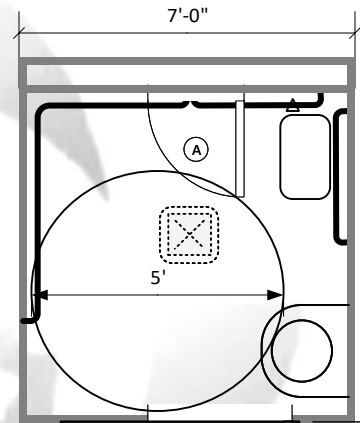


Handrails

Top Height 36" above Platform

Top of Cross Bars 14" below bottom of Top Rail. Railing 1.5" OD Diameter and slides into 4" piece of 1.5" ID pipe welded to landing.

- Porcelain wall hung fixtures
- Stainless Steel napkin dispenser.
- Soap disp. & mirror Metered shower
- Rubber coin over epoxy steel flooring
- Obscure skylight in radius door
- Vandal resistant pebble finished wall panels
- Radiant barrier insulation
- Led 50,000 hr LED lighting
- Automatic body sensing lighting
- Occupancy indicator deadbolts
- All metal and composite construction
- Forklift pockets
- 3" camlock male waste connector
- 1" City water fill



This document is the property of and contains unpublished proprietary information and trade secrets of A.M.S. Global Inc. By accepting possession of the document the recipient agrees to make no copies transcriptions or any use of this document or the information contained herein except as authorized by A.M.S. Global Inc. and further agrees to safe keep this document and return in to A.M.S. Global Inc. upon demand.

These restrooms are designed to be compliant with all current guidelines as we are aware of . Many guidelines have gray areas and points open to interpretation. Different entities may have differed interpretations or local differences. We suggest getting approvals of final plans from the authorities in the local the unit will be placed

Approved by _____