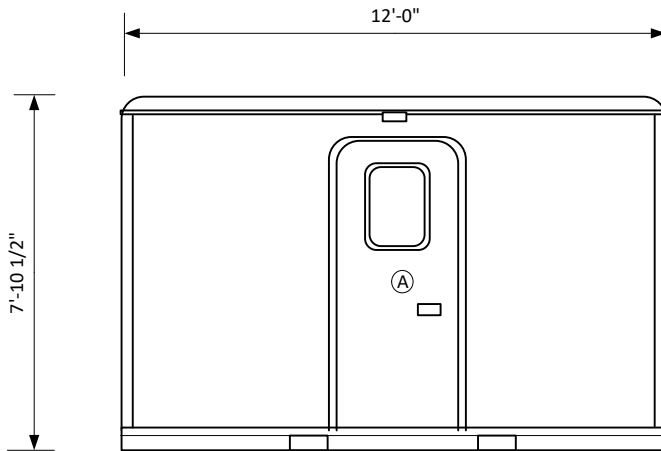
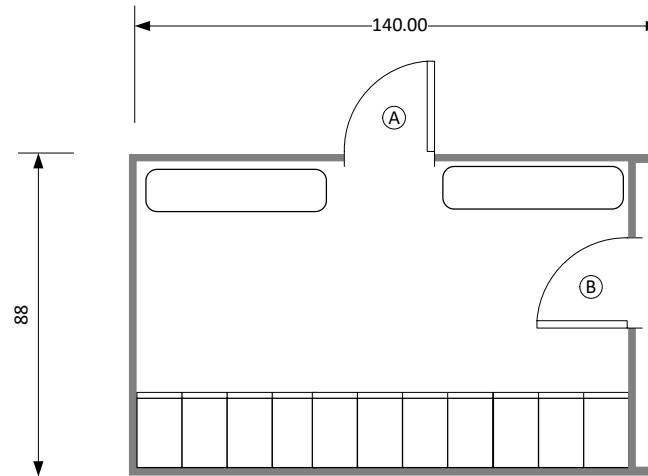




CI 12 10 Locker



- Ⓐ 78"x 28" radius LH
- Ⓑ 78"x 28" radius RH



Approved by _____

- All metal and composite construction
- LED 100,000 hour burn lighting
- 240 VAC power requirement
- 13,500 BTU AC with 5500 watts heat
- Dusk till dawn porch light
- Motion activated interior lighting
- Ten 12"x18"x72" lockers
- Two built in 4' benches
- Broom and mechanical storage
- Sky light door

These restrooms are designed to be compliant with all current guidelines as we are aware of . Many guidelines have gray areas and points open to interpretation. Different entities may have differed interpretations or local differences. We suggest getting approvals of final plans from the authorities in the local the unit will be placed

This document is the property of and contains unpublished proprietary information and trade secrets of A.M.S. Global Inc. By accepting possession of the document the recipient agrees to make no copies transcriptions or any use of this document or the information contained herein except as authorized by A.M.S. Global Inc. and further agrees to safe keep this document and return in to A.M.S. Global Inc. upon demand.

