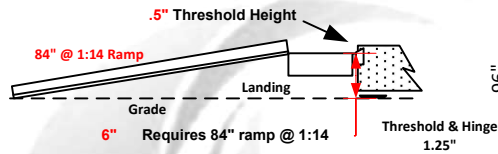


CI 14 ADA 2STS Direct

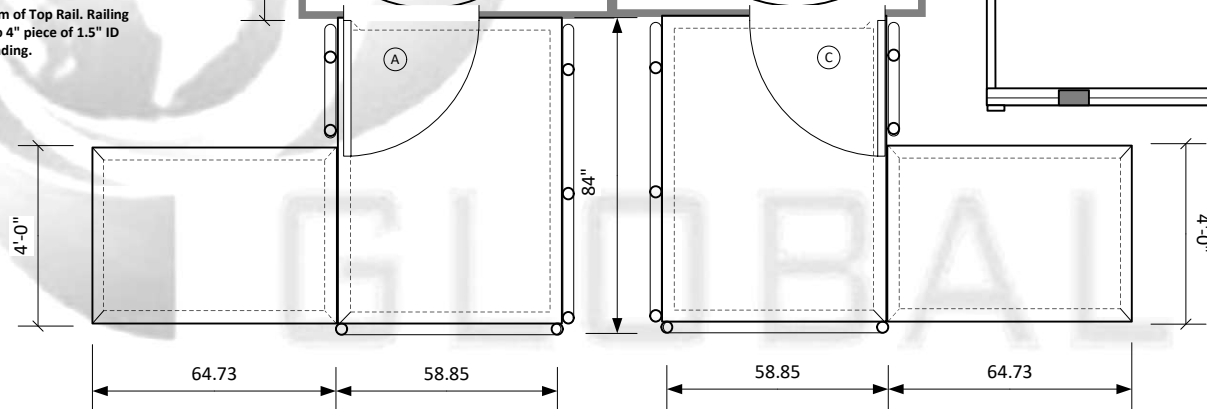
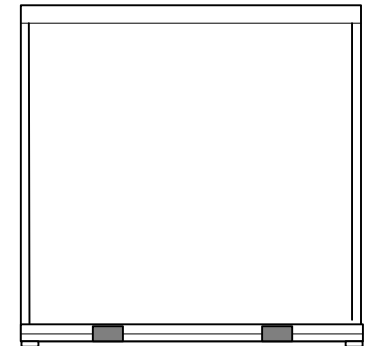
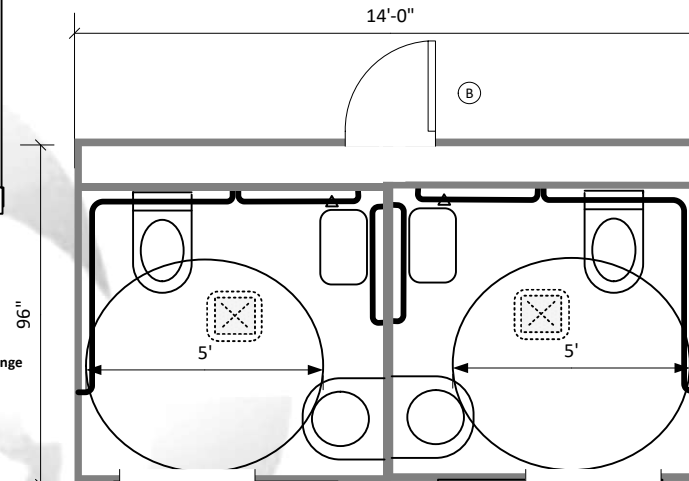
- (A) 80"x 36" LH
- (B) 78"x24" LH
- (C) 80"x 36" RH



Handrails

Top Height 36" above Platform

- Porcelain wall hung fixtures
- 15,000 BTU AC w/ 5500 watts heat
- Stainless Steel napkin dispenser.
- Soap disp. & mirror Metered shower
- Rubber coin over epoxy steel flooring
- Obscure skylight in radius door
- Vandal resistant pebble finished wall panels
- Radiant barrier insulation
- Led 50,000 hr LED lighting
- Automatic body sensing lighting
- Occupancy indicator deadbolts
- All metal and composite construction
- Forklift pockets all sides
- Two turbo vent fans Electric hot water
- Requires 240 vac @ 50 amps
- 3" PVC sch 40 waste pipe
- 1" PVC sch 40 City water fill



This document is the property of and contains unpublished proprietary information and trade secrets of A.M.S. Global Inc. By accepting possession of the document the recipient agrees to make no copies transcriptions or any use of this document or the information contained herein except as authorized by A.M.S. Global Inc. and further agrees to safe keep this document and return in to A.M.S. Global Inc. upon demand.

These restrooms are designed to be compliant with all current guidelines as we are aware of . Many guidelines have gray areas and points open to interpretation. Different entities may have differed interpretations or local differences. We suggest getting approvals of final plans from the authorities in the local the unit will be placed

Approved by _____

